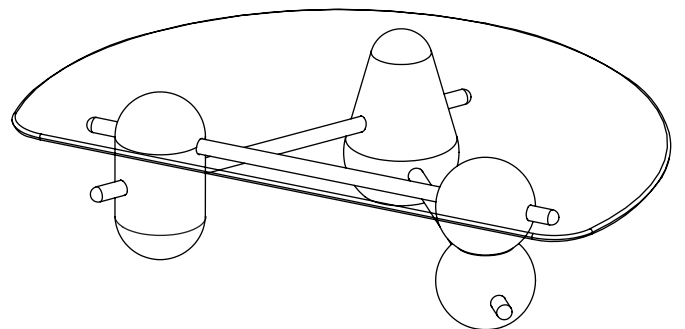
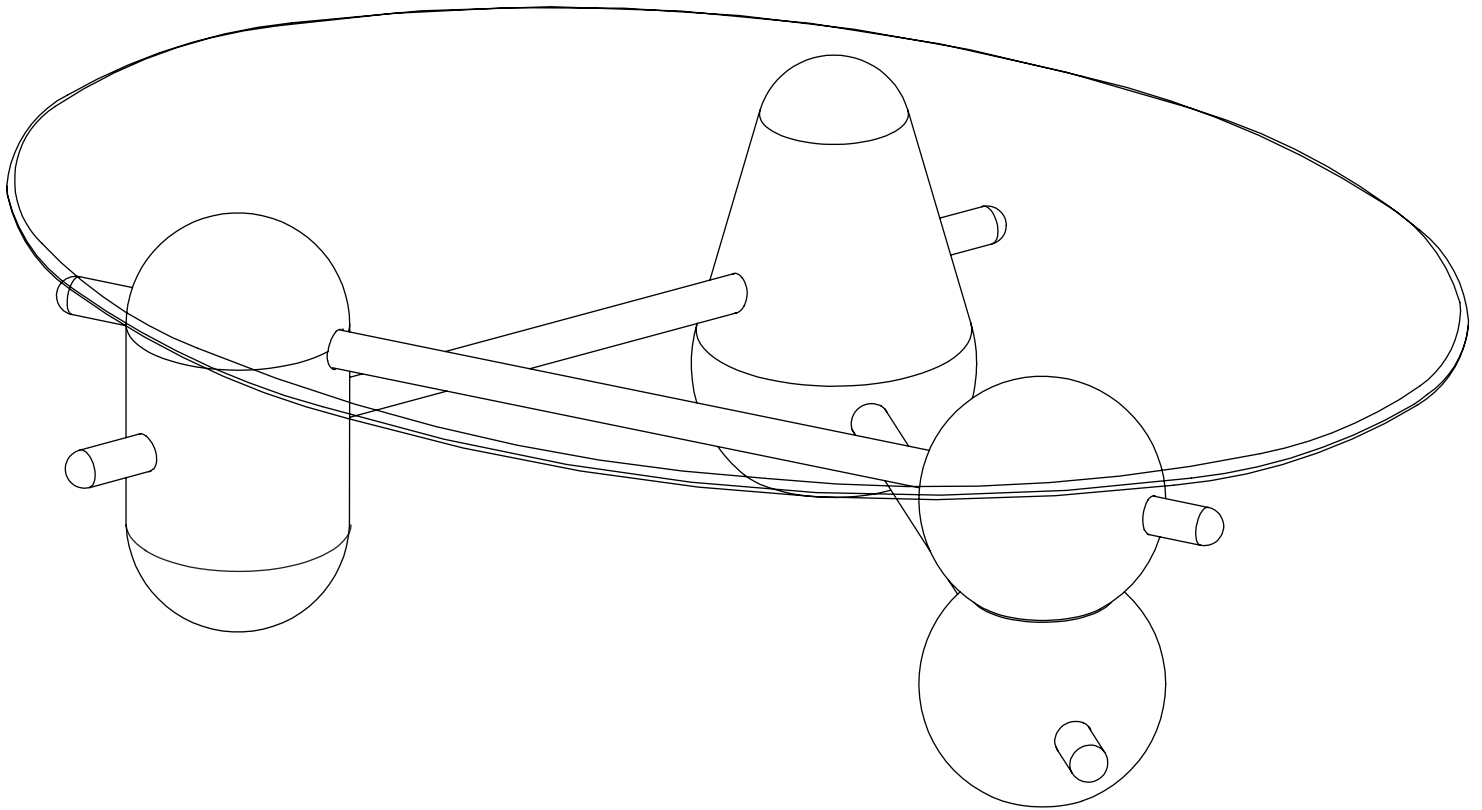


## Hew Coffee Table

Designed by Pat Kim for Design Within Reach



Customer Service:

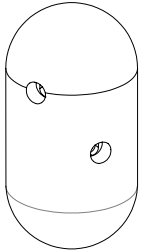
1.800.944.2233 inside the U.S.

1.203.614.0600 outside the U.S.

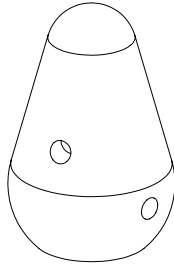
For care instructions, please visit  
[dwr.com/learn](http://dwr.com/learn).

# Hew Coffee Table

## Parts List



Shape F



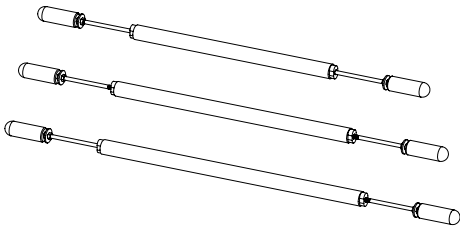
Shape G



Shape H



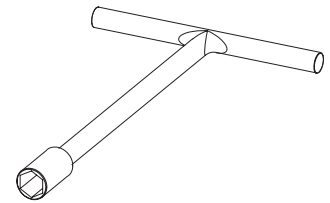
Silicone pads x 4



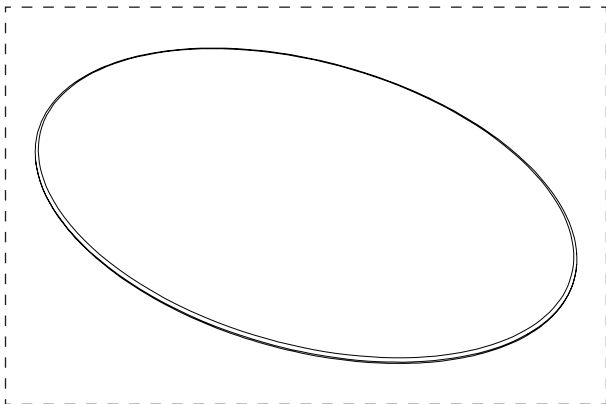
Short connector x 1  
Medium connector x 1  
Long connector x 1



Connector bolt x 6

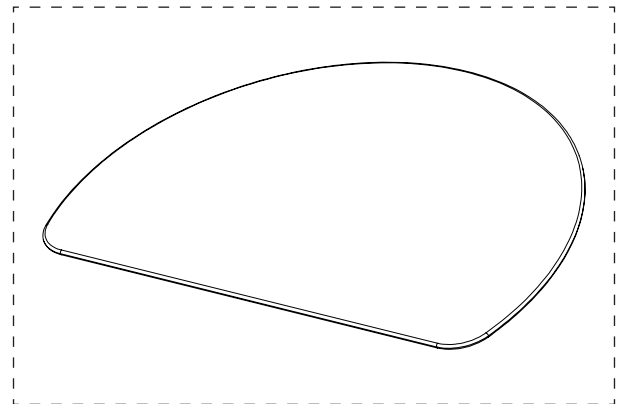


T-wrench x 1



Ellipse top x 1

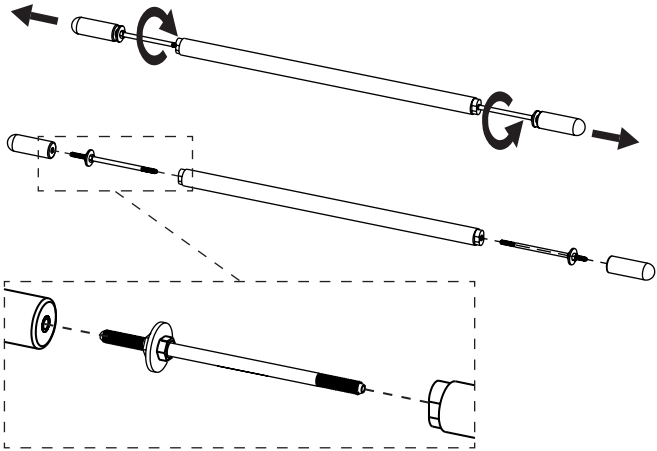
or



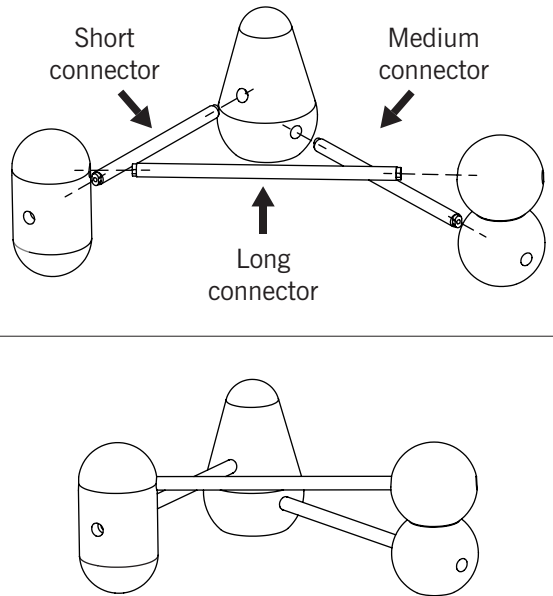
Half-moon top x 1

# Hew Coffee Table

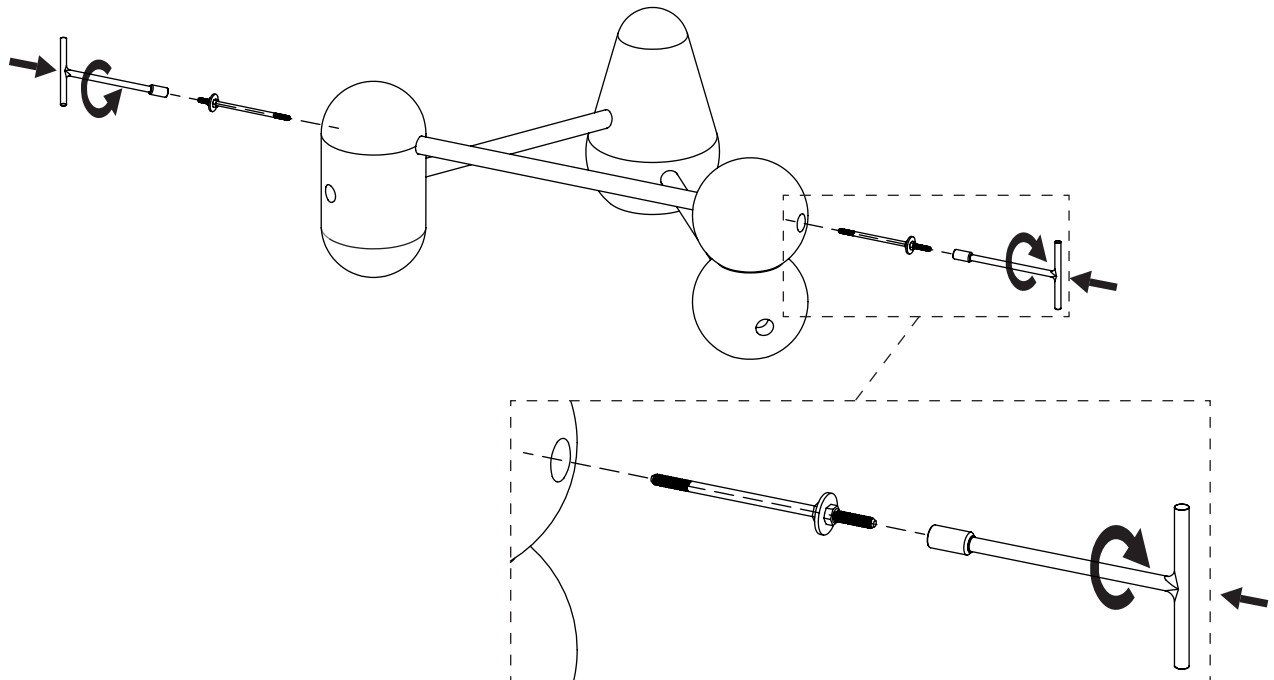
1. Remove caps and connector bolts from both ends of each connector by turning counterclockwise.



2. Arrange shapes and insert connectors as shown below.

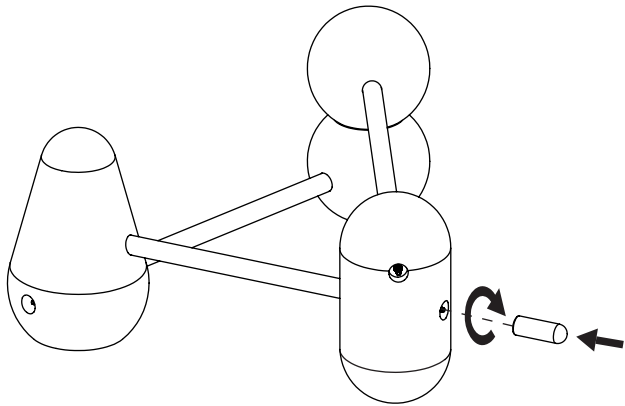


3. Loosely install all six bolts as shown then use T-wrench to tighten each in turn a little at a time until all are snug.

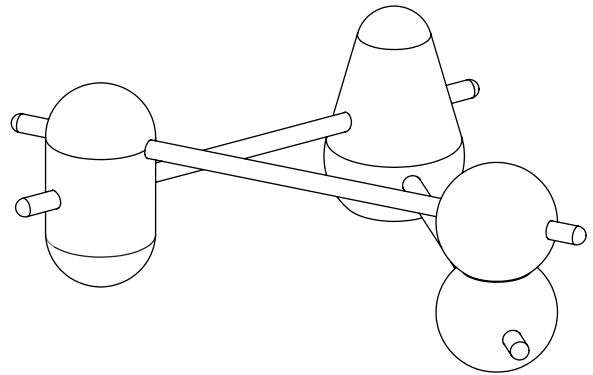


# Hew Coffee Table

5. Install eight connector caps as shown, tightening by hand.



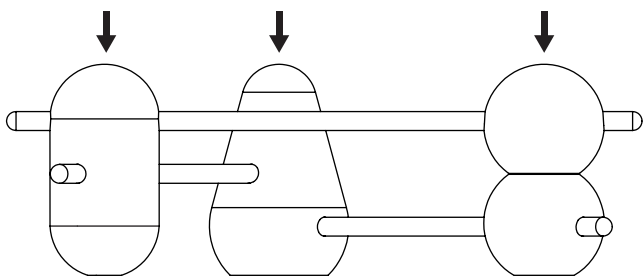
6. Position assembled base in its final location.



7. Carefully lower glass top onto base. For ellipse top, position wide edge over Shape F–Shape G side of base. For half-moon top, position flat edge over Shape F–Shape G side of base.



(Optional) Before lowering glass top, attach silicone pads to tops of wooden shapes for added assurance against slippage of glass top.



8. Adjust top as needed to rest evenly over base.

