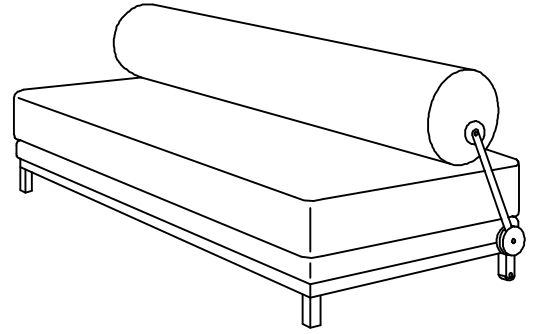


**SOFT
LINE**

Sleep

Design: Flemming Busk



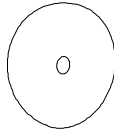
www.softline.dk



A x 2



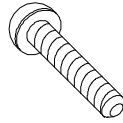
B x 2



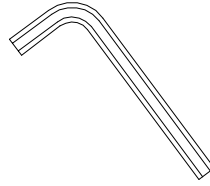
C x 2



D x 2



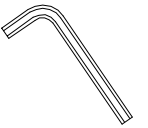
E x 4



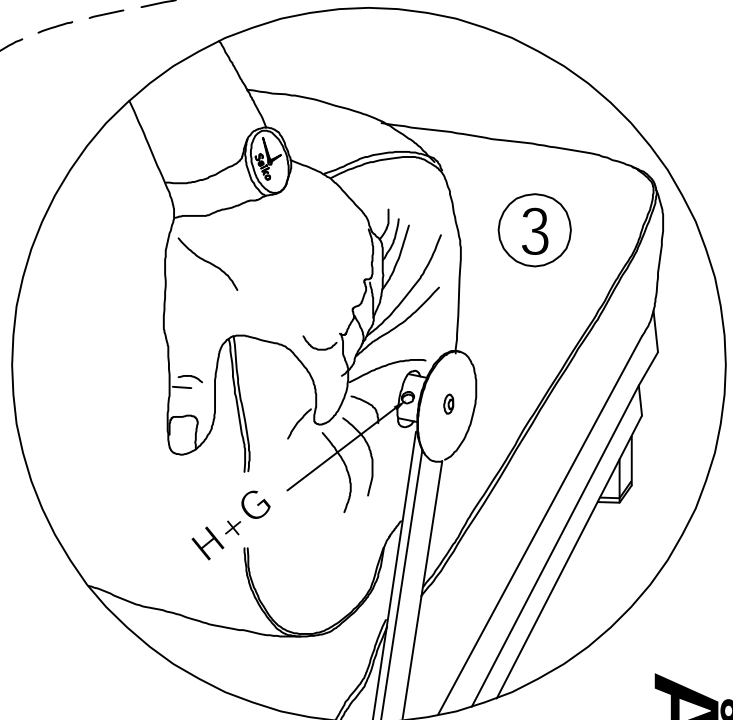
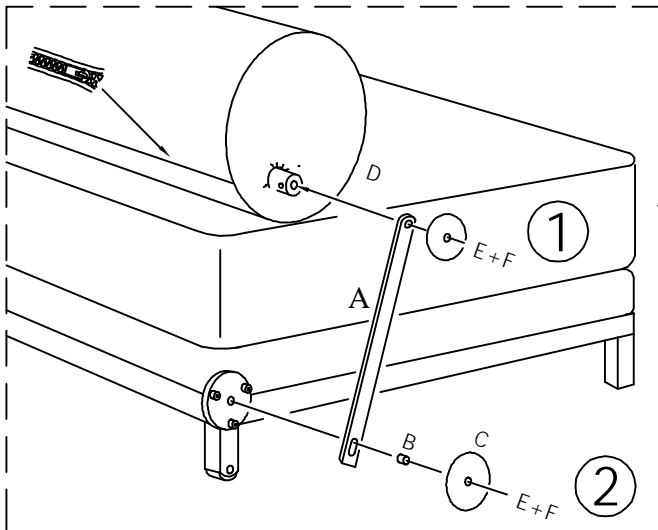
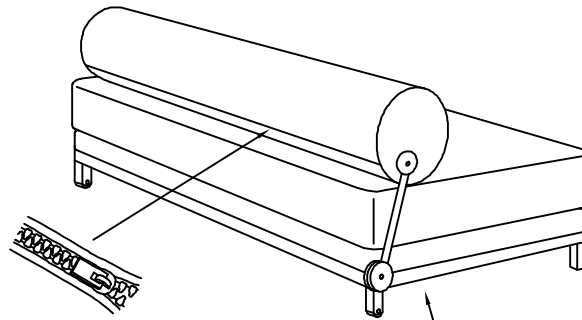
F x 1



G x 2

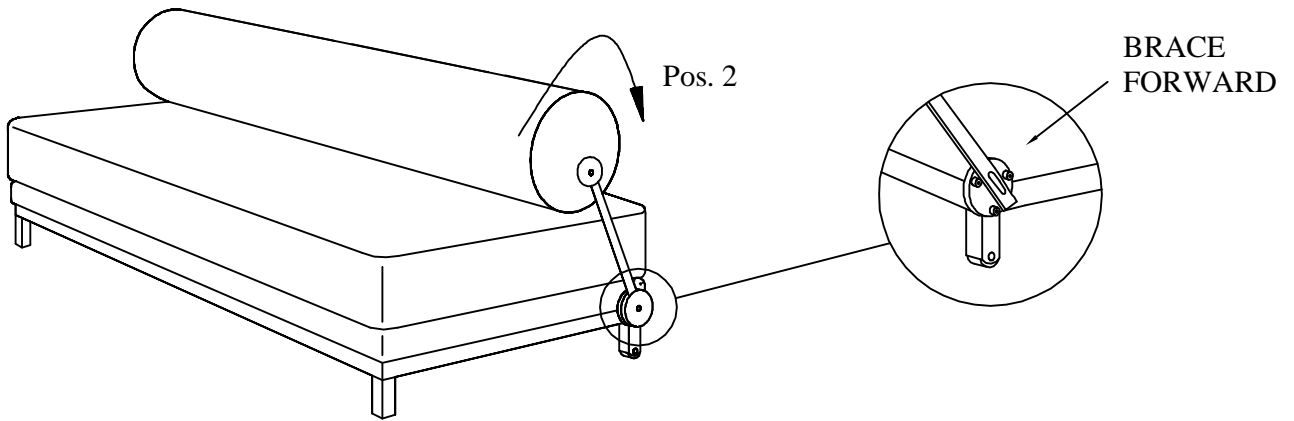


H x 1

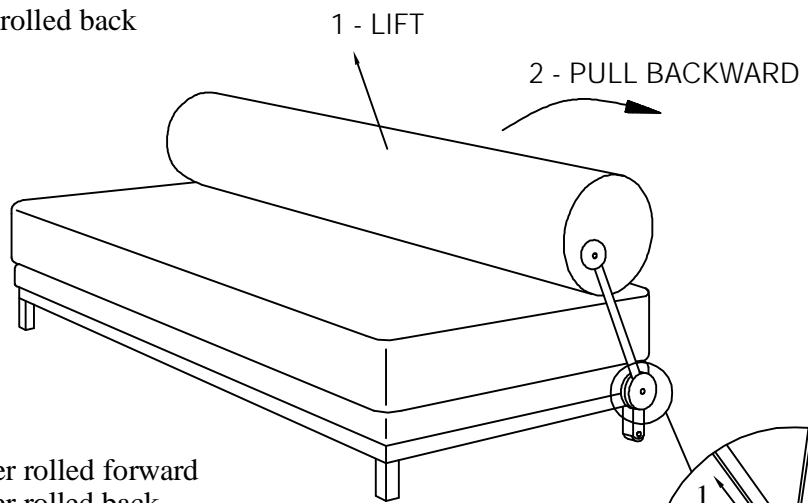


A

Position 1 - Brace forward, bolster rolled forward

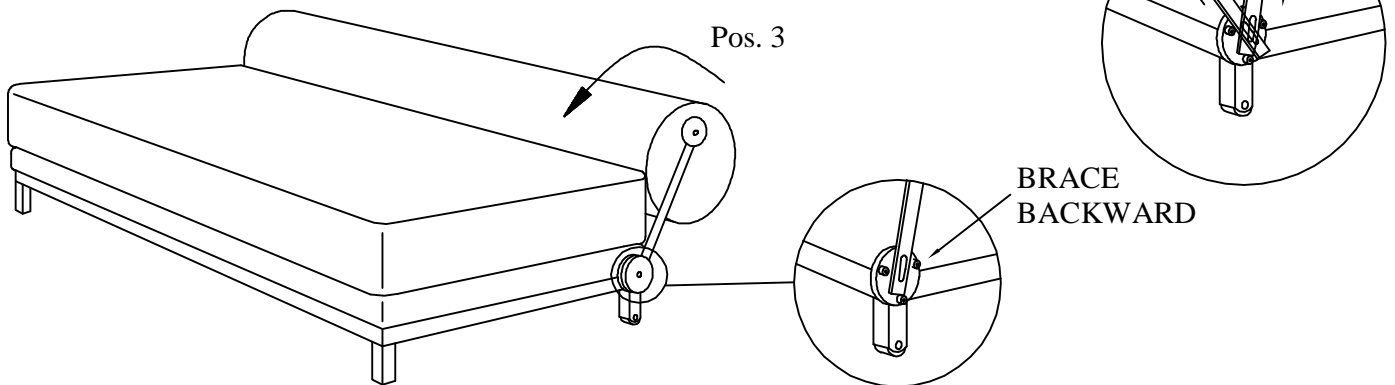


Position 2 - Brace forward, bolster rolled back



Position 3 - Brace backward, bolster rolled forward

Position 4 - Brace backward, bolster rolled back



Position 4 shown
single daybed

