

Pablo®

BOLA

DISC / FELT

**120/240V ASSEMBLY & INSTALLATION INSTRUCTIONS**

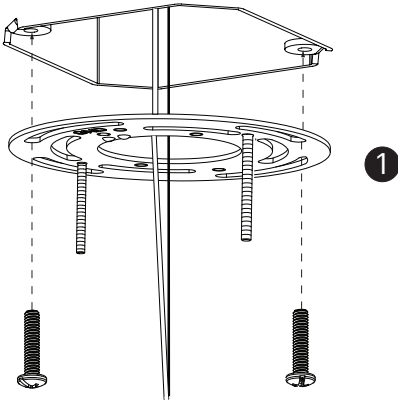
INFO@PABLODESIGNS.COM  
888 MARIN STREET  
SAN FRANCISCO, CA  
94124

PABLODESIGNS.COM

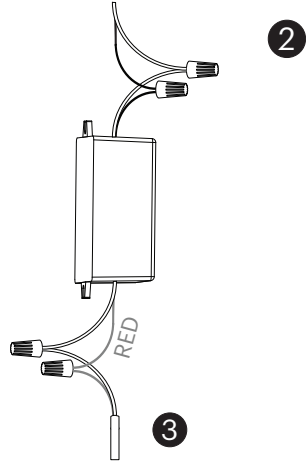


## BOLA CANOPY

1. ATTACH MOUNTING PLATE TO JUNCTION BOX OR CEILING  
(**US:** BLACK TO BLACK AND WHITE TO WHITE)  
(**EU:** BLUE TO BLACK AND BROWN TO RED)
2. WIRE TRANSFORMER TO BUILDING  
(**US:** BLACK TO BLACK AND WHITE TO WHITE)  
(**EU:** BLUE TO BLACK AND BROWN TO RED)
3. CUT CORD TO DESIRED LENGTH AND PASS THROUGH CANOPY. WIRE TRANSFORMER TO LAMP  
(**US:** BLUE TO BRAIDED AND RED TO RED)
4. TIGHTEN SET SCREWS ON CORD RELIEF
5. BRING CANOPY UP TO MOUNTING PLATE WITH BOLTS PASSING THROUGH THE HOLES
6. SCREW BOTH CAPS DOWN, SECURING THE CANOPY

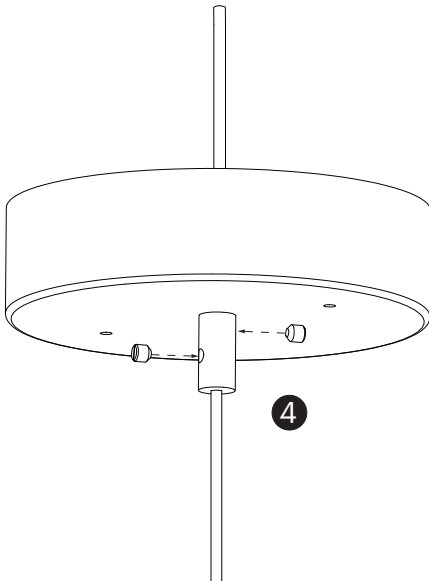


1

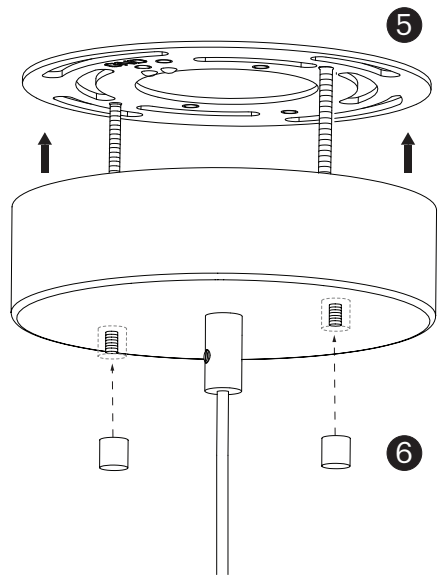


2

3



4



5

6

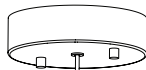
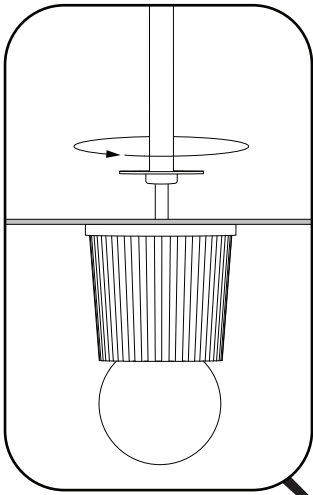
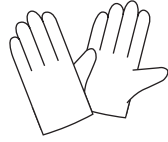
**IMPORTANT: WE RECOMMEND CEILING MOUNTING  
BE INSTALLED BY AN ELECTRICIAN**

**LENGTH OF CORD SUPPLIED  
10FT (305 CM)**

# BOLA DISC

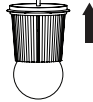
NOTE: DISC COMES WRAPPED IN PROTECTIVE SLEEVE.  
LEAVE SLEEVE ATTACHED UNTIL LAMP IS FULLY ASSEMBLED

USE PROVIDED GLOVES WHEN HANDLING LAMP.



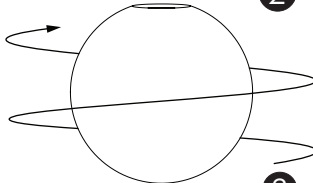
1

HOLD HEAT SINK AGAINST DISC AND  
SCREW STEM ONTO STATIONARY HEAT SINK  
CAPTURING DISC.



2

CAREFULLY SCREW GLOBE TO HEAT SINK.



3

TEAR PROTECTIVE SLEEVE OFF OF DISC.

## BULB TYPE

LED  
FULL RANGE LIGHT CONTROL VIA  
120V DIMMER (US)  
OR ELV DIMMER (EU)

## BULB REPLACEMENT

CONTACT MANUFACTURER FOR BULB  
REPLACEMENT

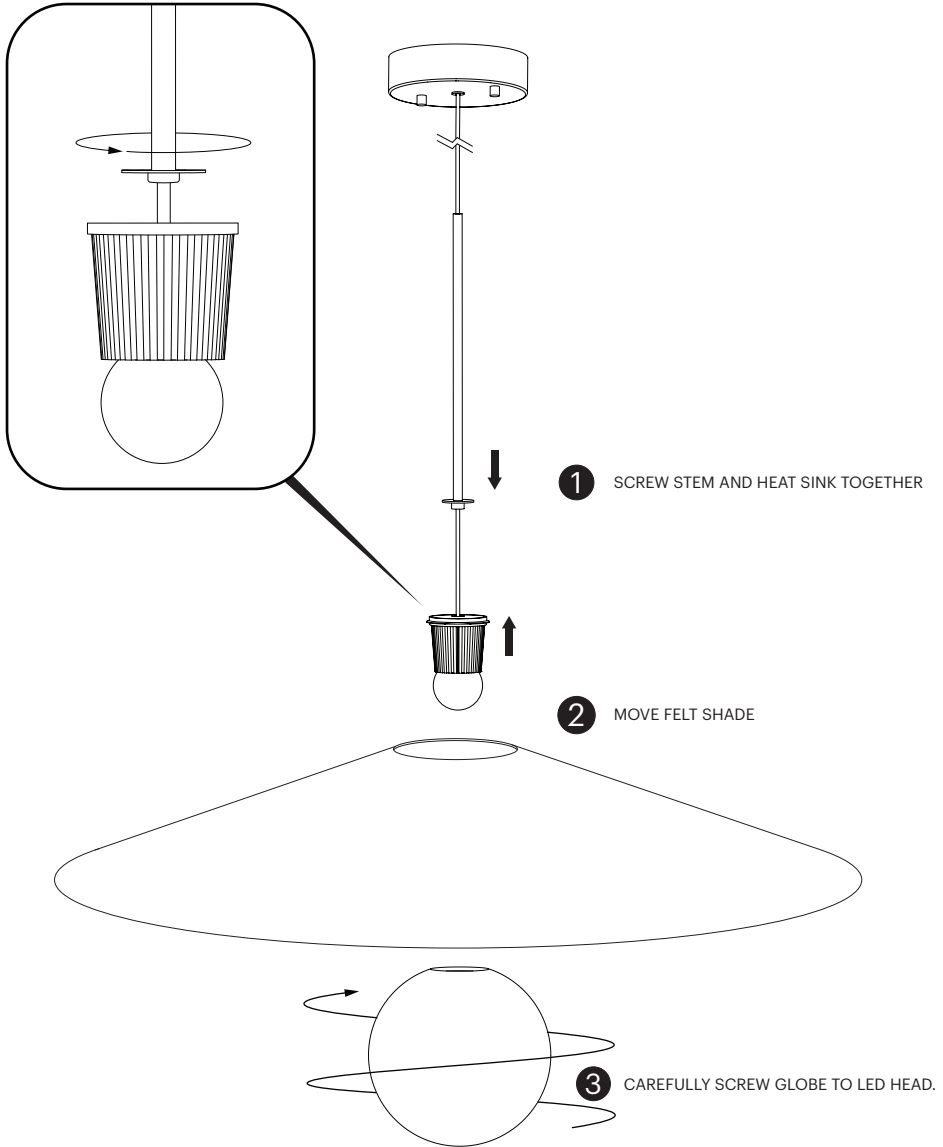
## LENGTH OF CORD SUPPLIED

10FT (305CM)

## CARE:

WIPE WITH A DRY CLEAN CLOTH.

# BOLA FELT



## CARE INSTRUCTIONS

**LIGHT** - WIPE WITH A DRY CLEAN CLOTH.

**SHADE** - TO REMOVE DUST AND SMALL DEBRIS: CLEAN WITH A SOFT HAIR BRUSH OR USE A VACUUM.  
TO REMOVE OTHER SUBSTANCES: USE A DAMP CLOTH AND IF NEEDED A MILD DETERGENT.

AVOID AMMONIA-BASED CLEANERS.