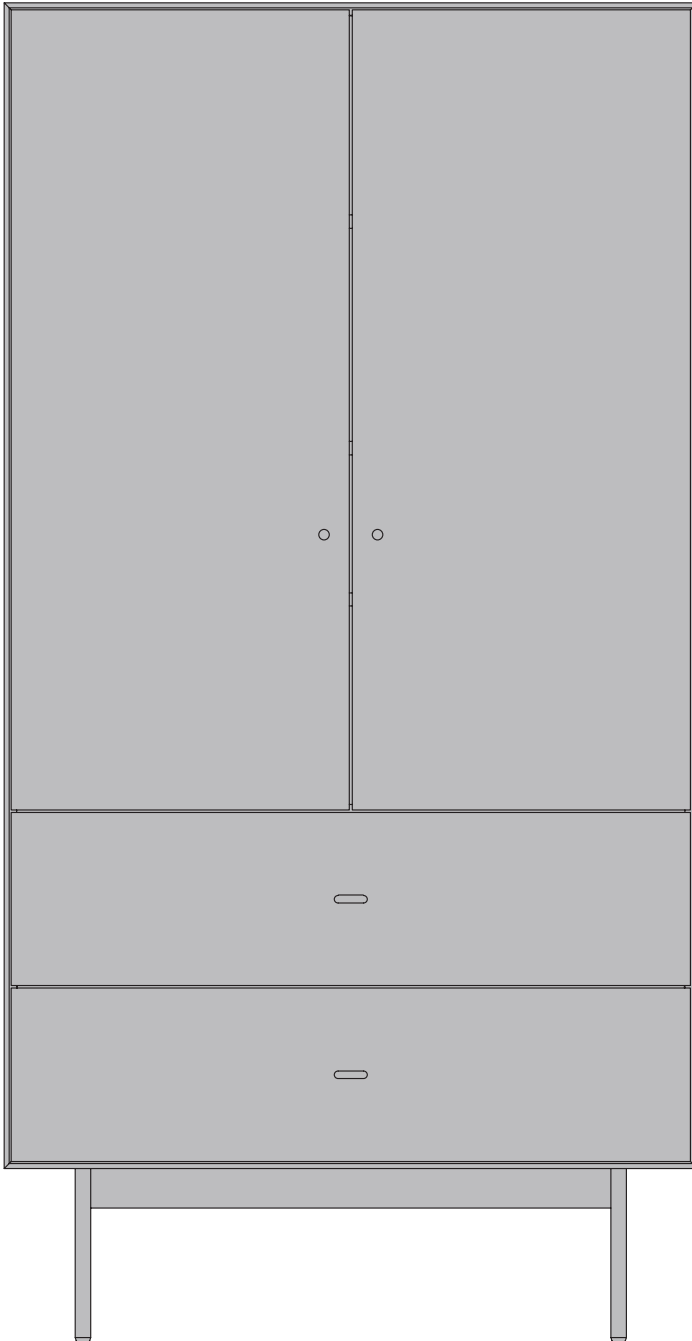
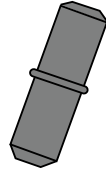


# Loop Armoire

Designed by Earnest Studio for Design Within Reach

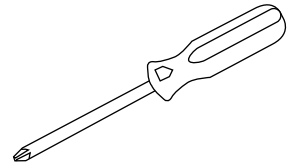


## HARDWARE CHECKLIST



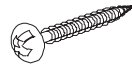
Shelf pins x 12  
(Included with  
the Armoire with  
Shelves only)

## TOOLS (NOT INCLUDED)

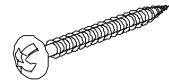


Phillips screwdriver

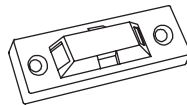
## SAFETY STRAP KIT



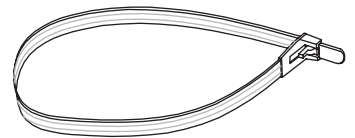
Short screw x 2



Long screw x 2



Bracket x 2



Safety strap x 1

Customer Service:

1.800.944.2233 inside the U.S.

1.203.614.0600 outside the U.S.

For care instructions, please visit  
[dwr.com/learn](http://dwr.com/learn).

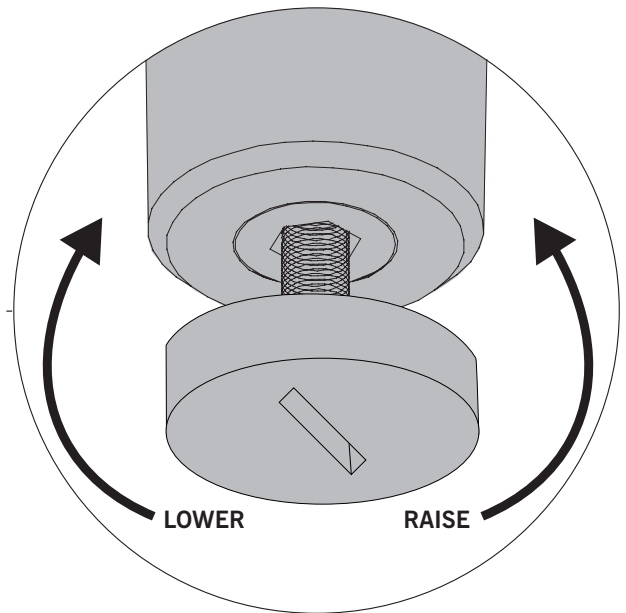
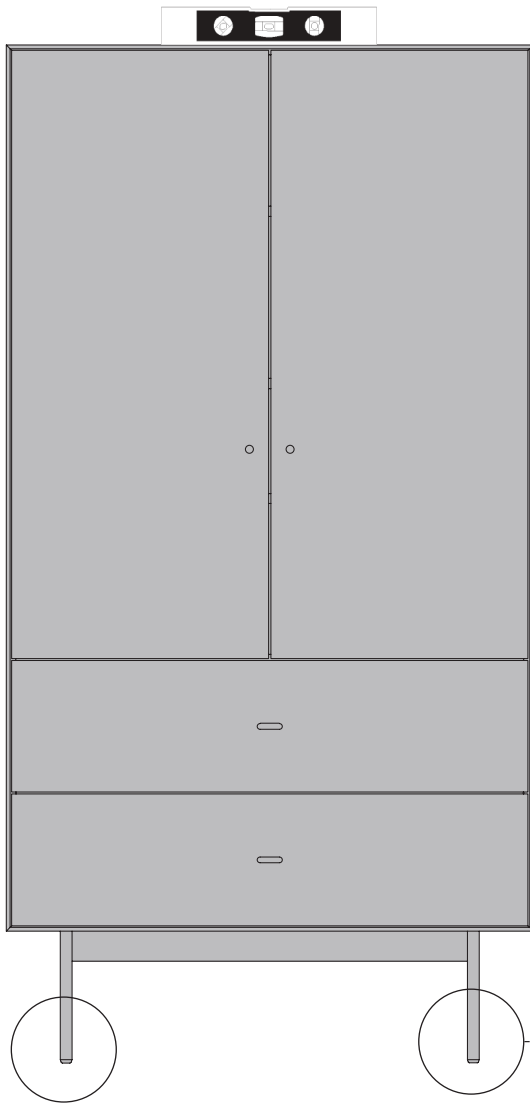
# Loop Armoire

1.

Cabinet is packed with sheet of MDF attached to base with leveling feet. To remove, lay cabinet on back and remove leveling feet by turning counterclockwise. After removing MDF sheet, return leveling feet to legs.

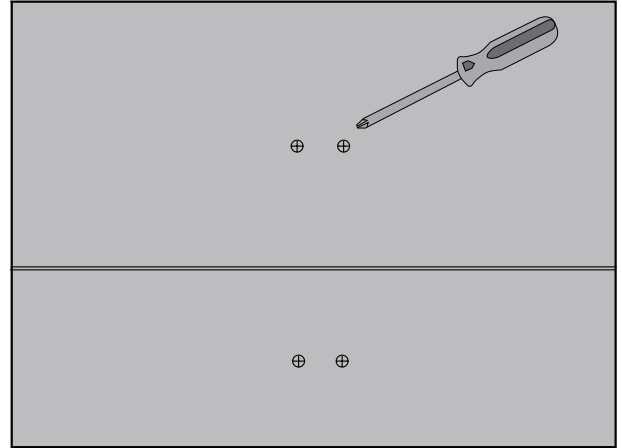
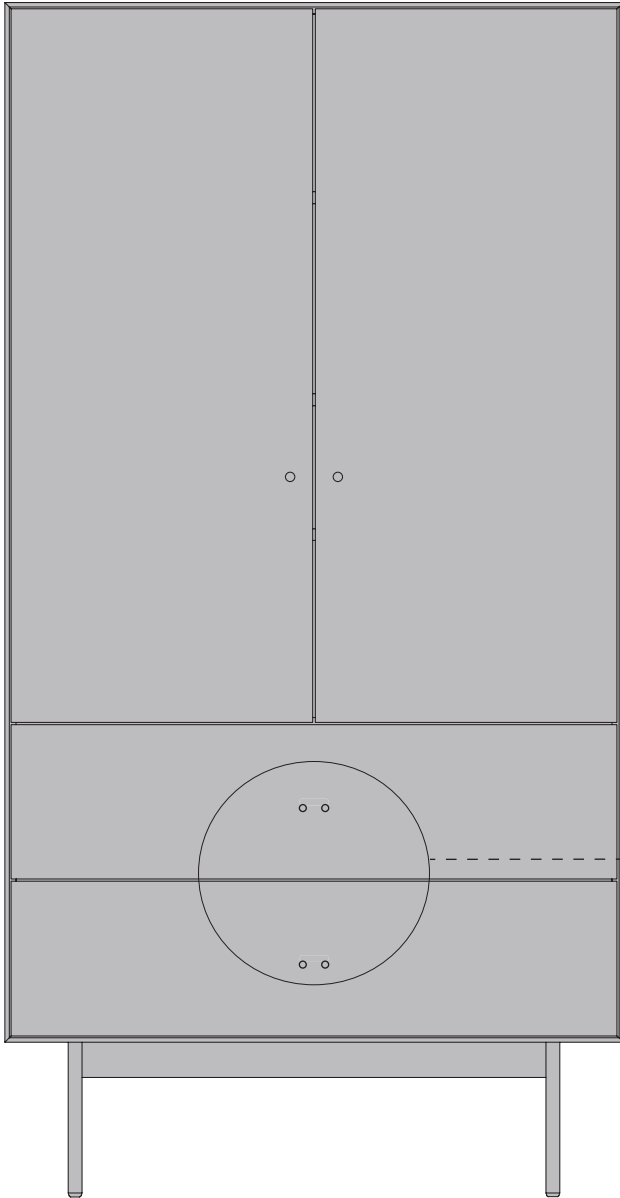
2.

With armoire in final location, check for level from side to side and front to back. Adjust leveling feet, as shown, until cabinet is level in all directions.



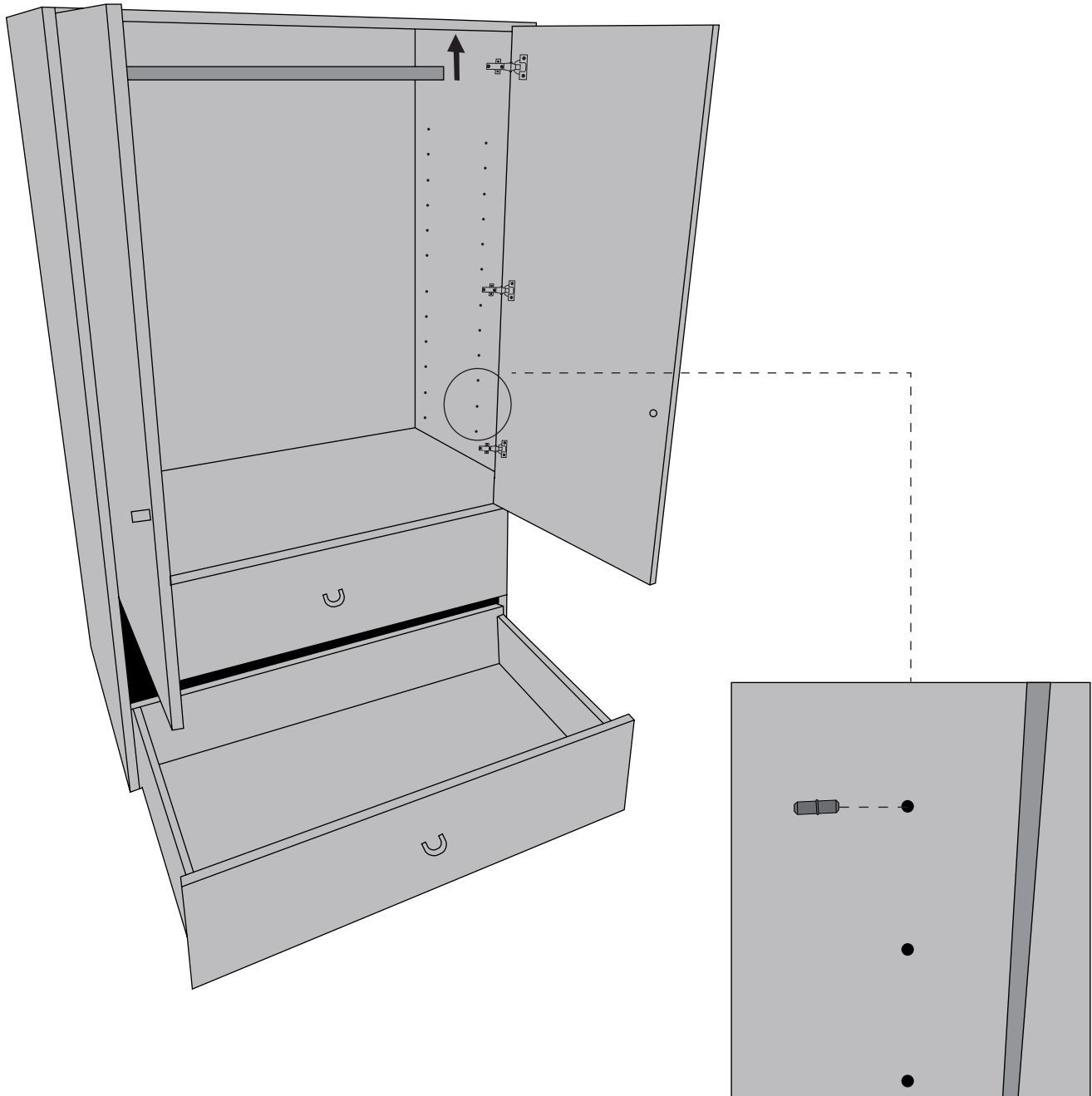
# Loop Armoire

3. Door and drawer pulls are factory installed facing inward for shipping. Remove each with a screwdriver, then reinstall facing outward.



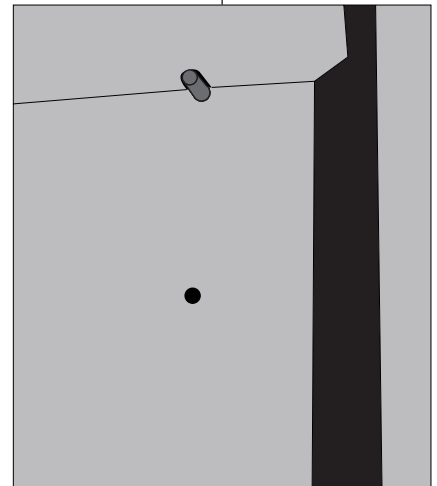
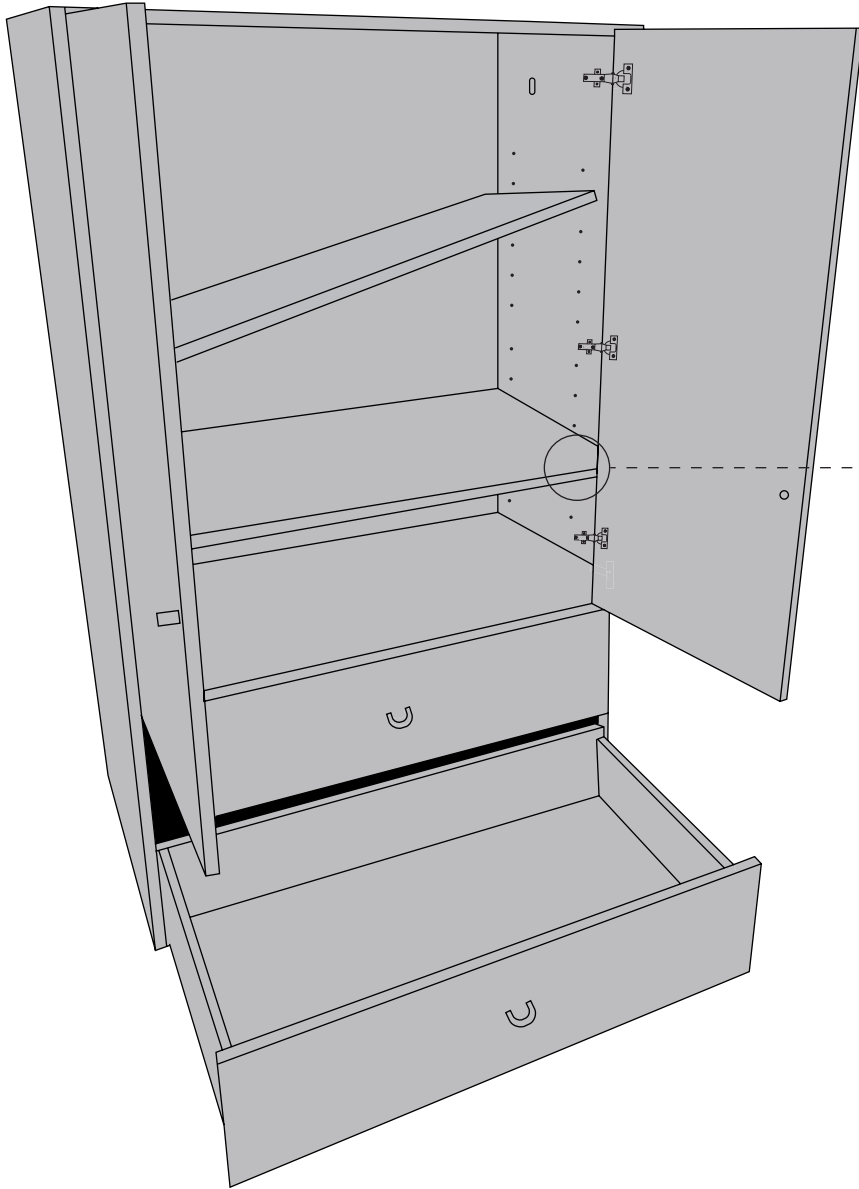
## Loop Armoire

4. If you chose the Armoire with Shelves, remove coatrack bar and save for potential future use. Metal pins holding coatrack bar are not designed to be removed. Install four shelf pins for each shelf at positions that will best serve your needs, making sure all pins for a single shelf are installed at the same level.



# Loop Armoire

5. Once shelf pins have been installed, tilt shelf slightly to fit into case, then lower onto shelf pins.



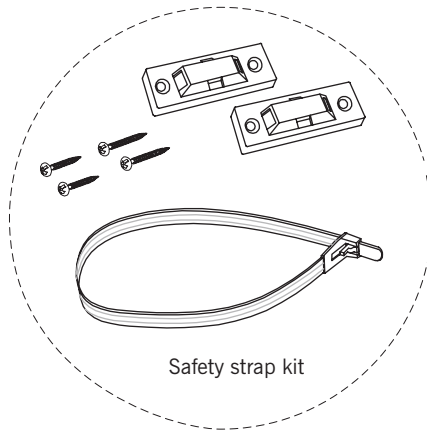
# Loop Armoire

Shelves installed.

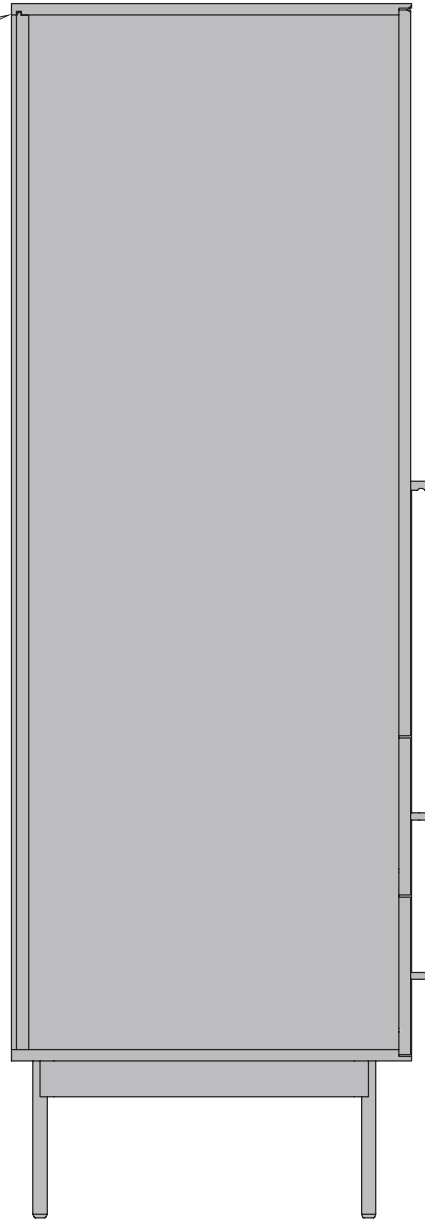


# Loop Armoire

6. Safety strap kit, included with your Loop Armoire, must be installed. Follow instructions with kit.

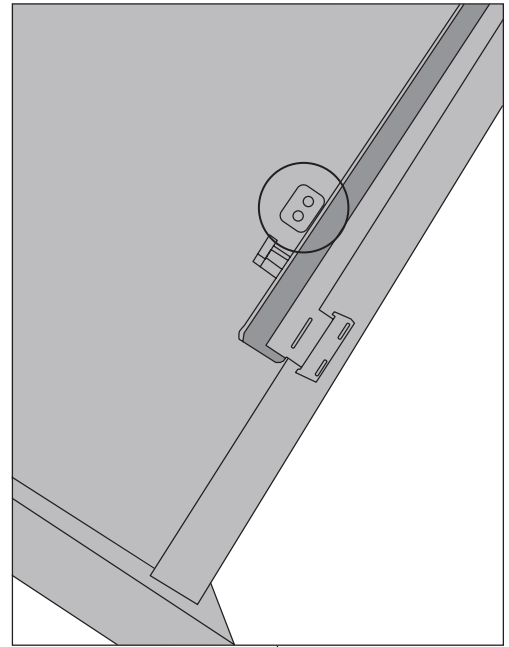
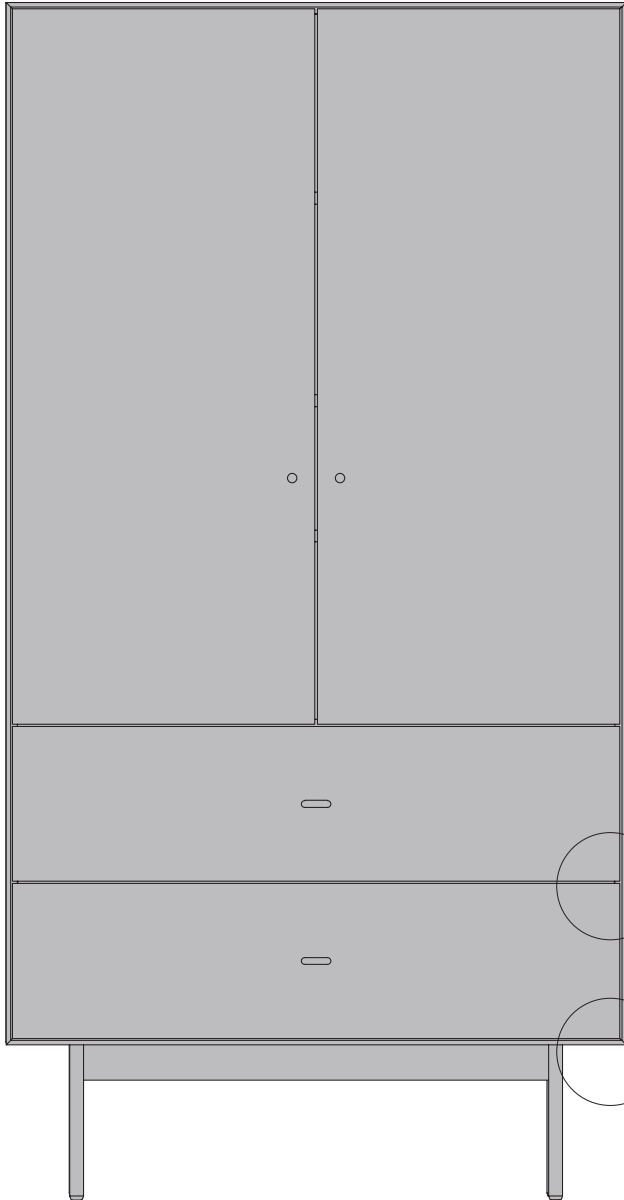


Wall



## Loop Armoire

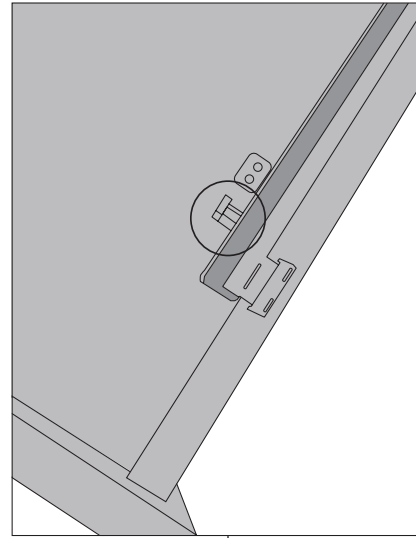
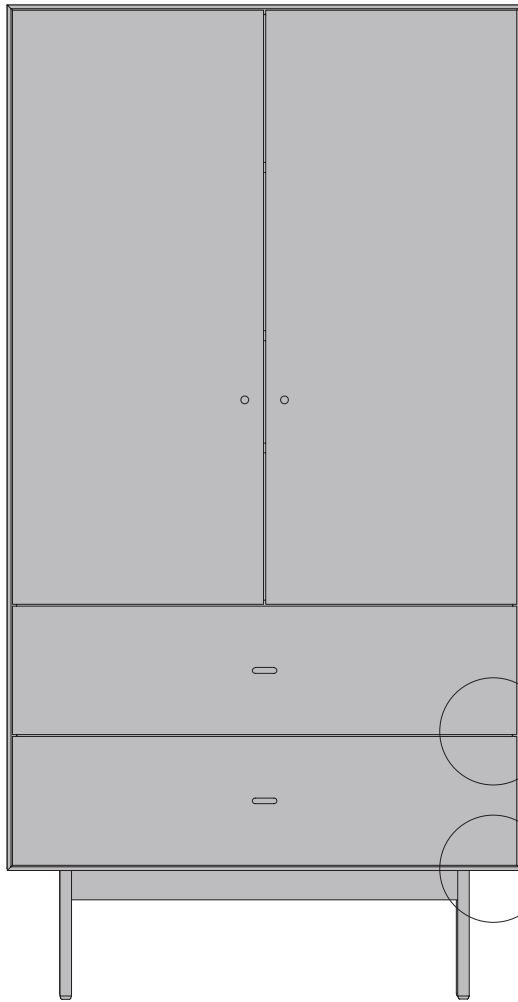
7. To raise or lower drawer, locate knobs next to latch pins on each slide underneath the drawer. Turn knobs to adjust height of drawer.





## Loop Armoire

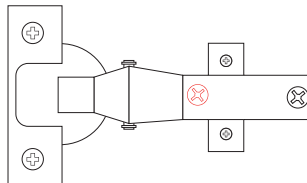
**NOTE:** To remove drawer, pull all the way out. Reach under drawer and locate downward protruding latch pins on drawer slides, one on each side, as shown below. Push both pins inward toward center of drawer to release drawer from slide. Drawer can now be lifted off slides. Reverse process to reinstall.



## Door Adjustments

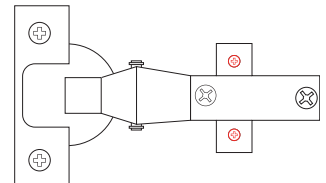
### LEFT/RIGHT ADJUSTMENT

Turn screw nearest hinge to adjust door left or right.



### UP/DOWN ADJUSTMENT

Loosen center screw, as shown, and manually adjust door up or down.



### IN/OUT ADJUSTMENT

Turn screw farthest from hinge to adjust door in or out.

