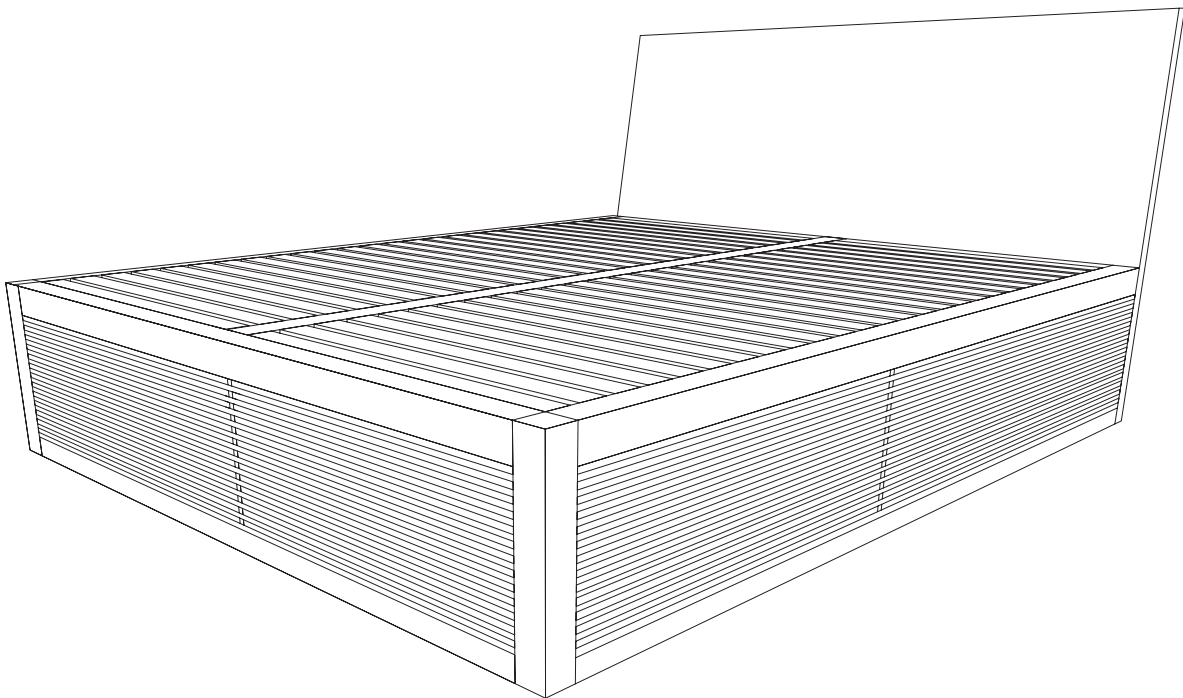


Line Storage Bed

Designed by Nathan Yong for Design Within Reach



Wood Care

Dust with a slightly damp, soft, lint-free cloth. Wipe dry with a dry, soft cloth in the direction of the wood grain. Do not use aerosol cleaners or polishes. Also, do not use polishes containing waxes or abrasives, or polishes that are oil-based.

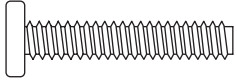
Customer Service:

1.800.944.2233 inside the U.S.

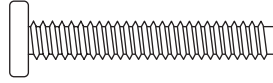
1.203.614.0600 outside the U.S.

Line Storage Bed

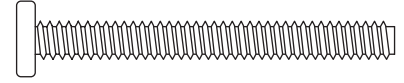
Hardware Checklist



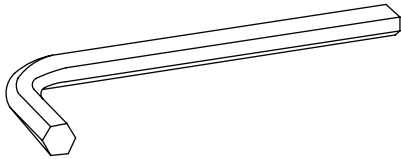
SHORT BOLT X 84
(M6 X 30MM)



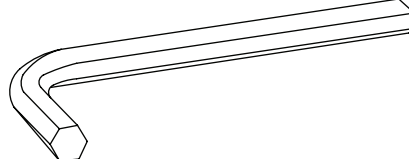
MEDIUM BOLT X 18
(M6 X 35MM)



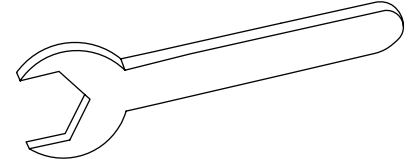
LONG BOLT X 1
(M6 X 50MM)



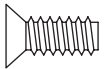
SMALL ALLEN WRENCH X 1



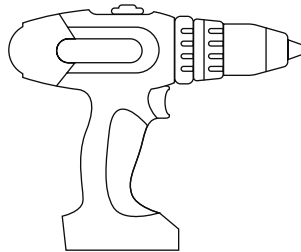
LARGE ALLEN WRENCH X 1



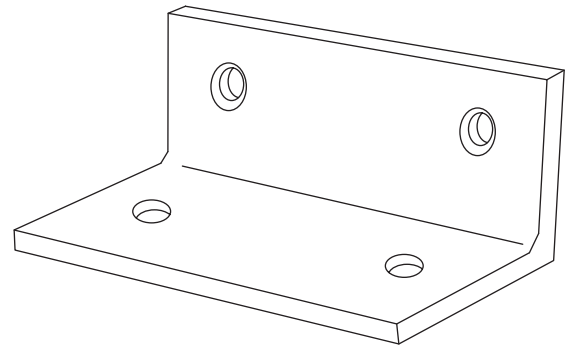
SPANNER WRENCH X 1



INSERT SCREW X 4



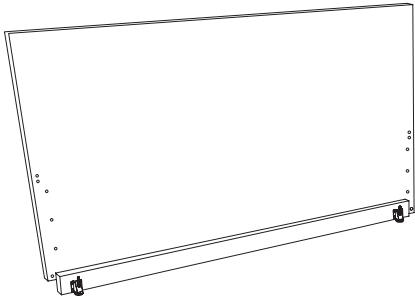
ELECTRIC DRILL (OPTIONAL)



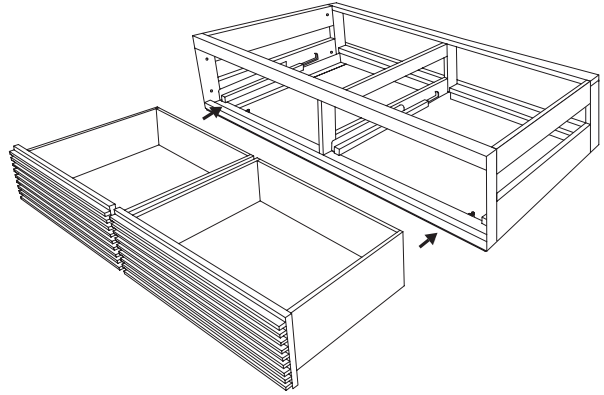
L-BRACKET X 1

Line Storage Bed

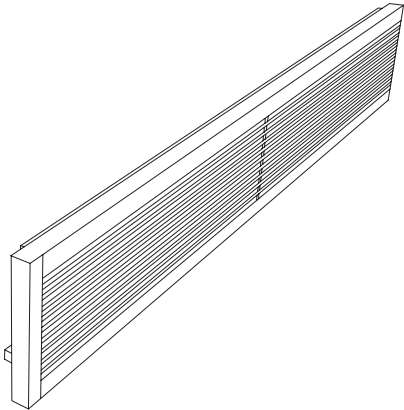
Parts Checklist



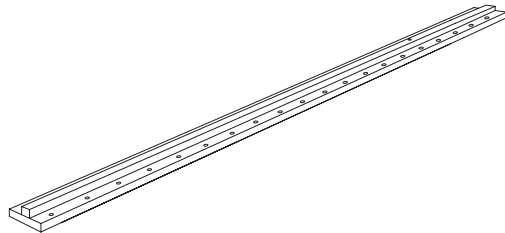
HEADBOARD X 1



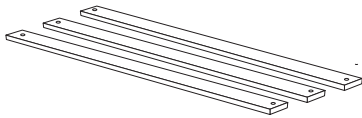
FOOTBOARD/DRAWER ASSEMBLY X 1



SIDE RAIL X 2



CENTER RAIL X 1



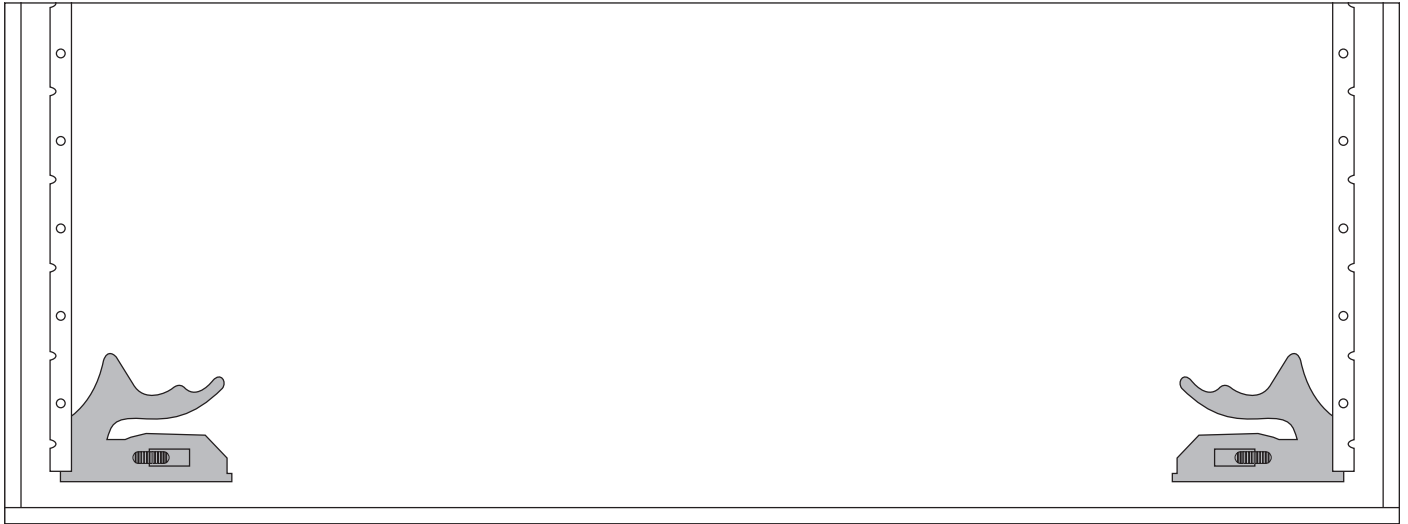
SLAT X 42



CENTER LEG X 1

Line Storage Bed

Drawer Adjustments



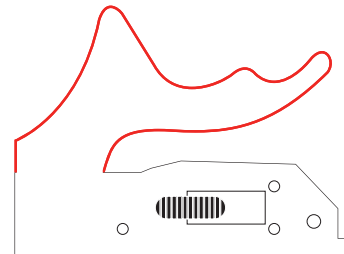
Underside of drawer

HOW TO RELEASE DRAWER SLIDES

Squeeze both handles at front underside of drawer and firmly pull drawer forward.

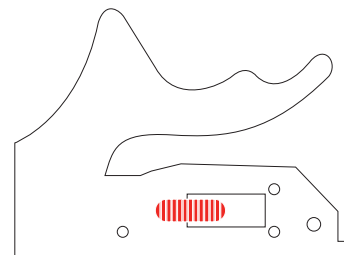
HOW TO REINSTALL DRAWER

Fully extend drawer slides and place drawer box on top of slides. Pull each drawer slide forward until it locks into both left and right side clips. You will hear a “click” when slide is locked properly.



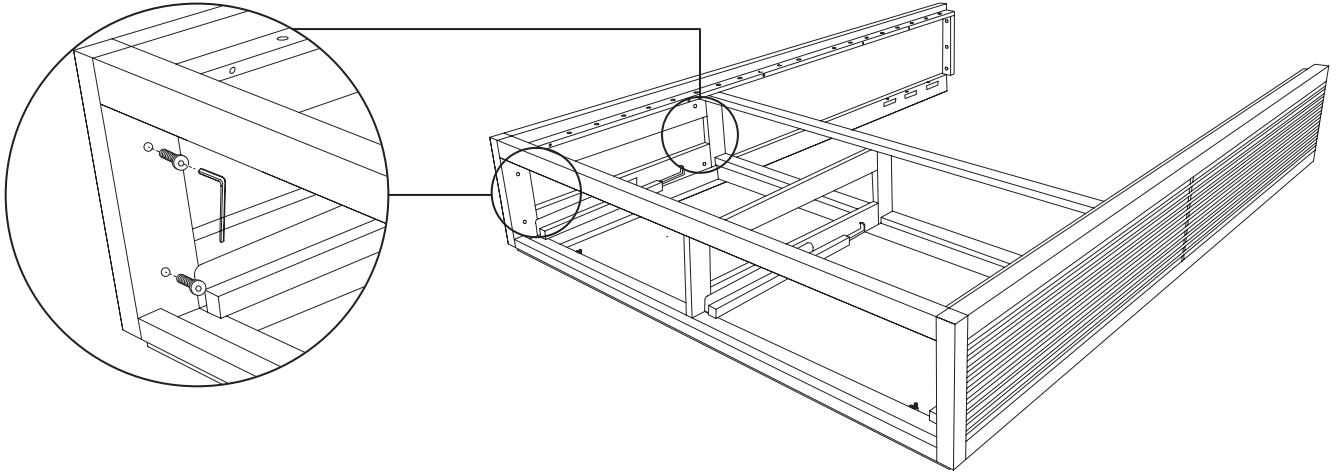
HOW TO ADJUST DRAWER FACE

Drawer faces can be leveled by sliding small adjustment knob forward and back or side to side. Each knob adjusts a single corresponding side of drawer face.



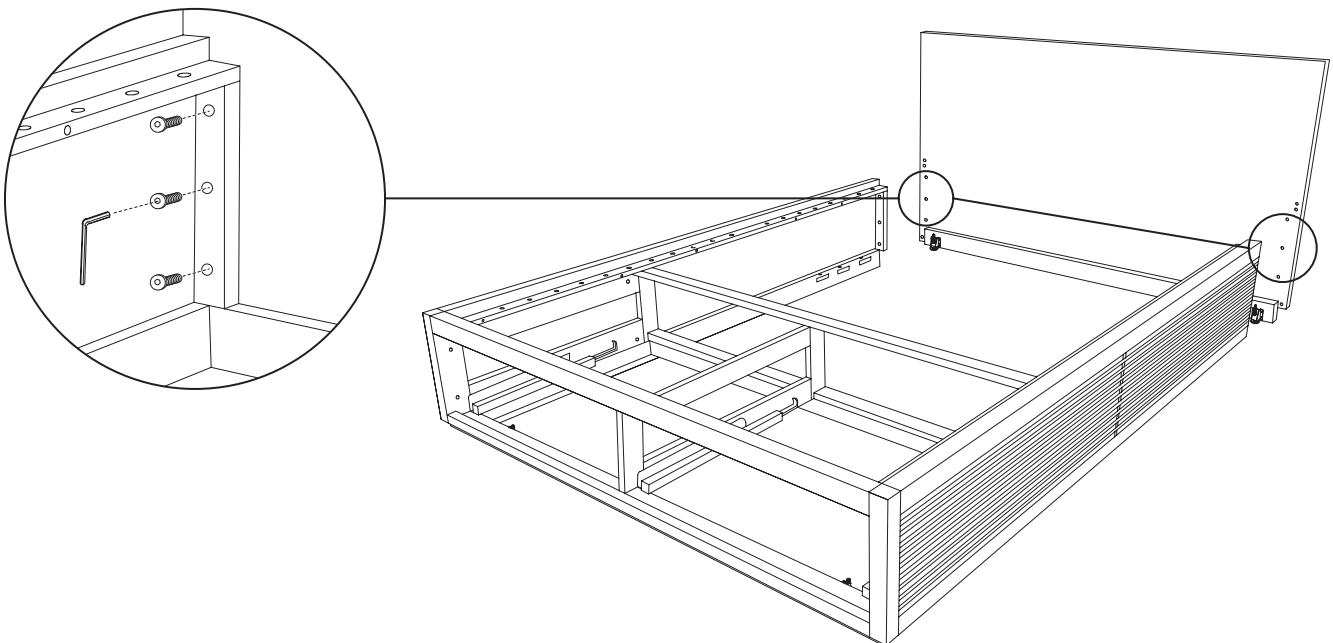
Line Storage Bed

1. Position drawer assembly near bed's final location, then remove drawers and set aside. Attach one side rail, as shown, using four medium bolts. Thread all bolts loosely at first, then tighten with small Allen wrench. Repeat with opposite side rail.



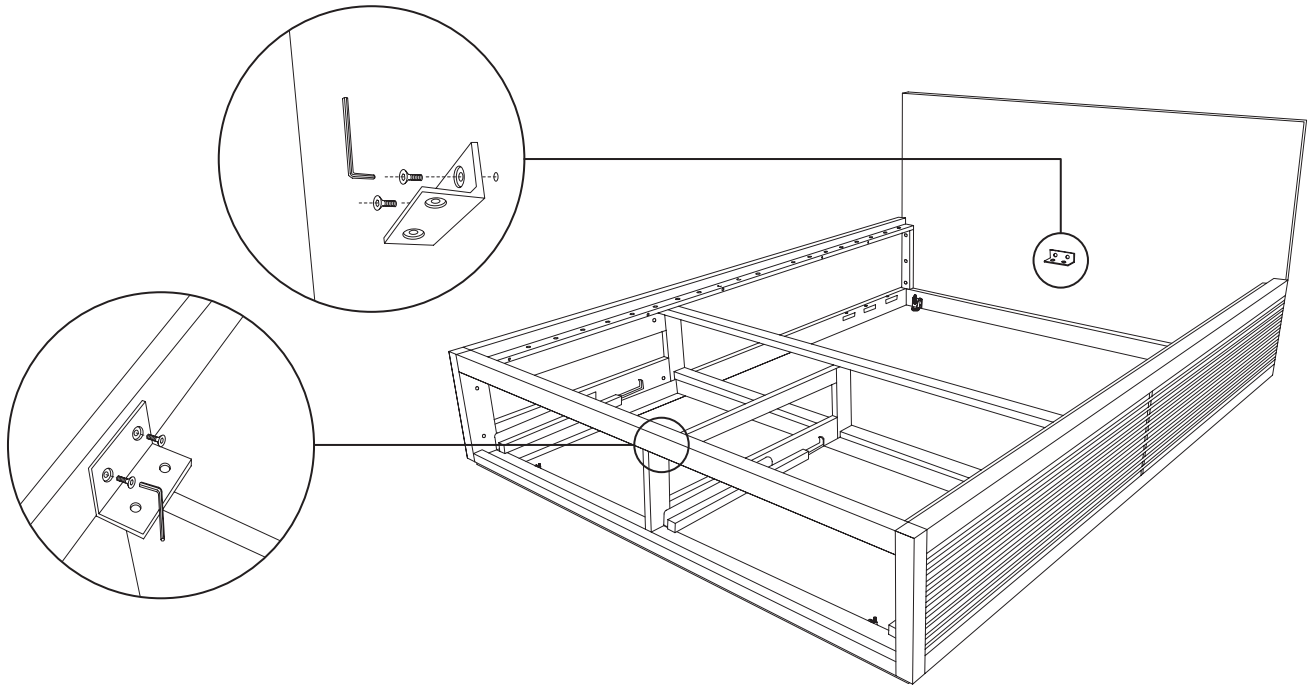
*A minimum of three people recommended for assembly.

2. Attach headboard to side rails, as shown, using six medium bolts all threaded in loosely at first, then tighten with small Allen wrench.

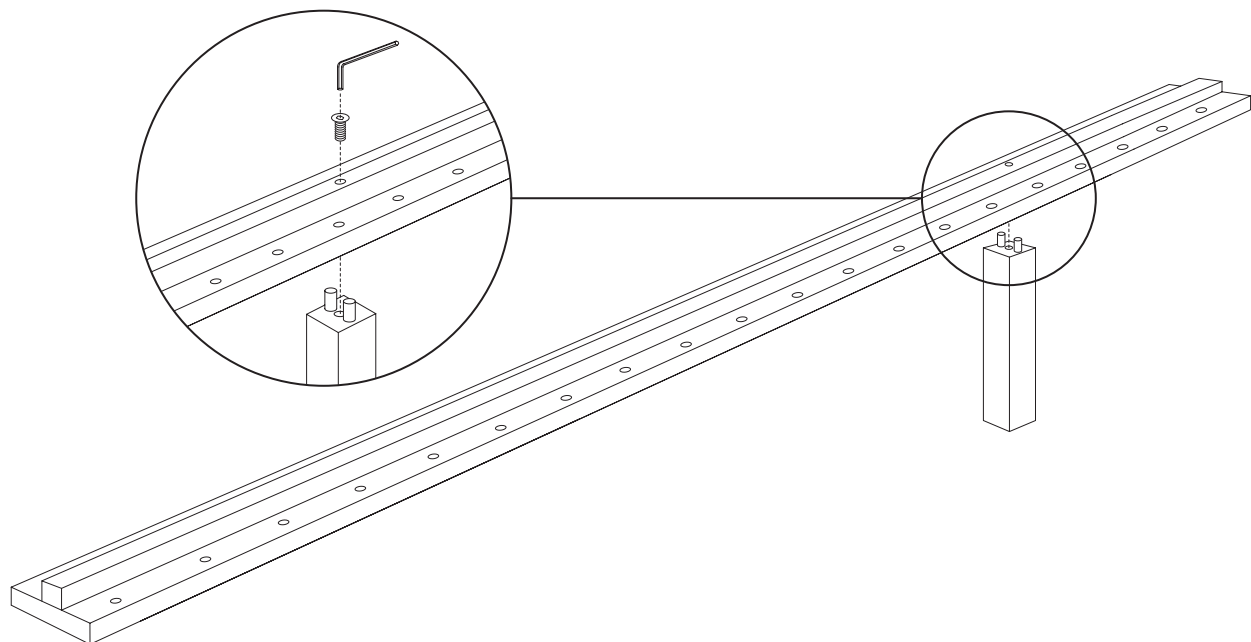


Line Storage Bed

3. Attach L-brackets to headboard and footboard using insert screws, as shown.

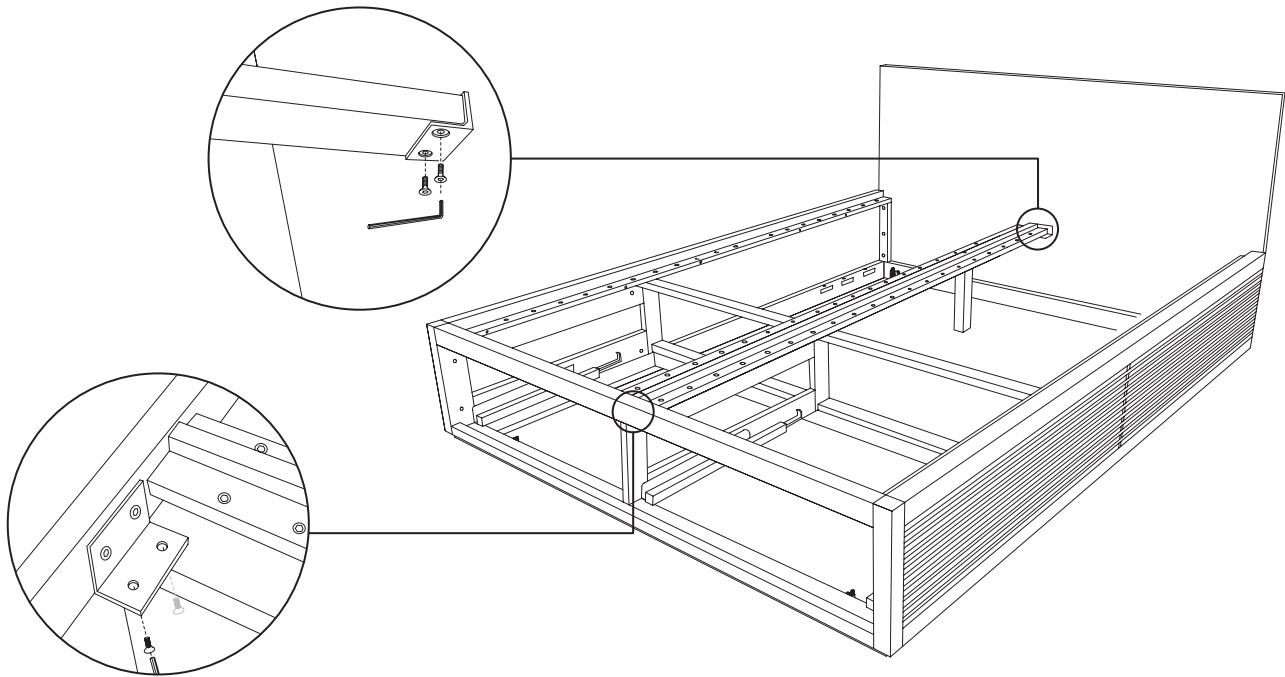


4. Attach center leg to center rail with one long bolt. Tighten with small Allen wrench.

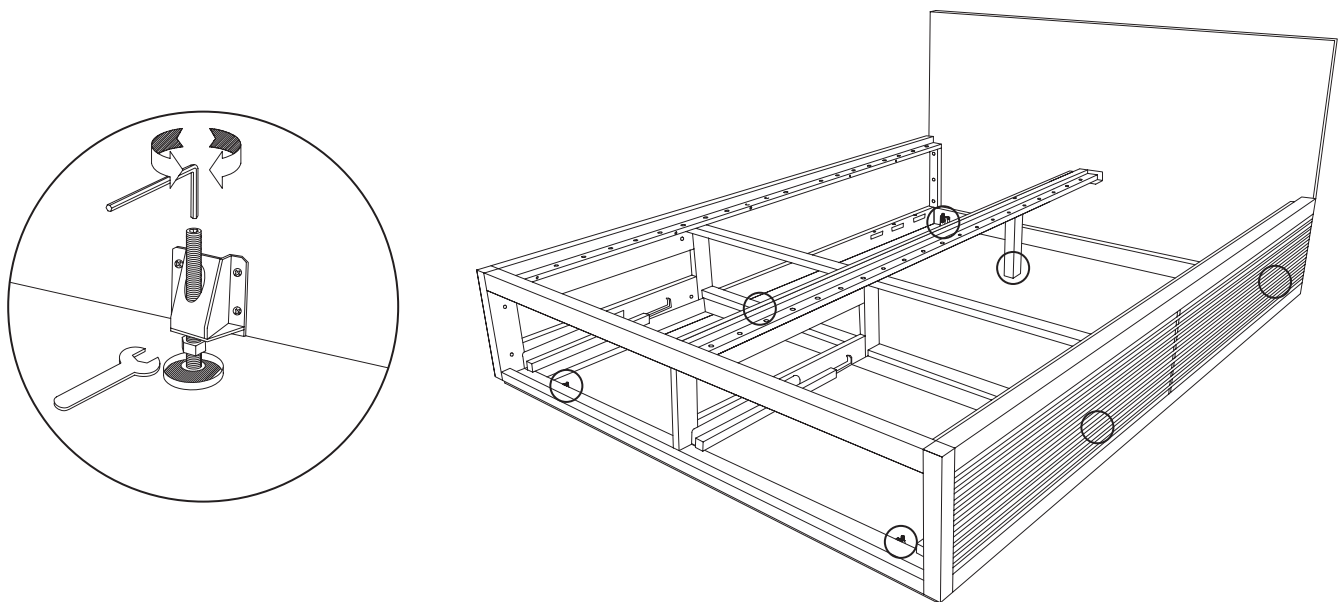


Line Storage Bed

5. Position center rail as shown and attach to L-brackets on headboard and footboard using insert screws. Thread all screws loosely at first, then tighten with small Allen wrench.

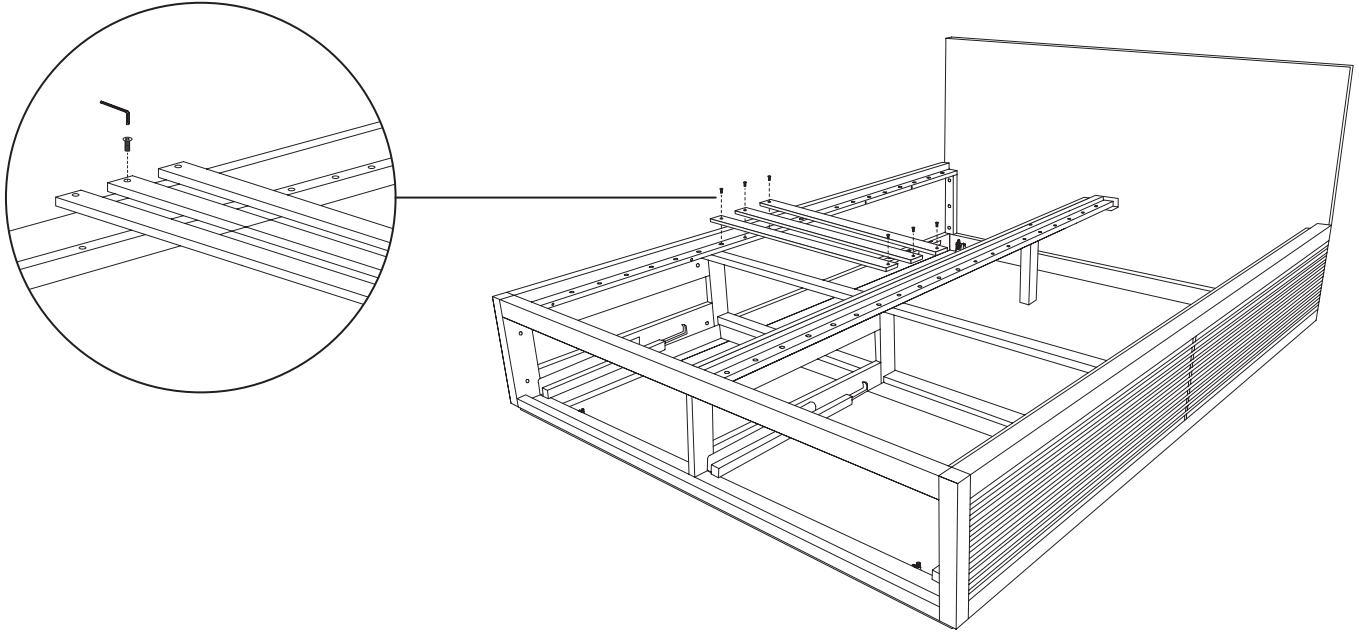


6. Use spanner and large Allen wrench to level bed with seven adjustable feet, including on center leg.



Line Storage Bed

7. Attach slats using 84 short bolts. Thread all bolts loosely at first, then tighten with small Allen wrench or electric drill fitted with a hex bit.



8. Extend slides and reinstall drawers.

