

## Morrison Dining Table

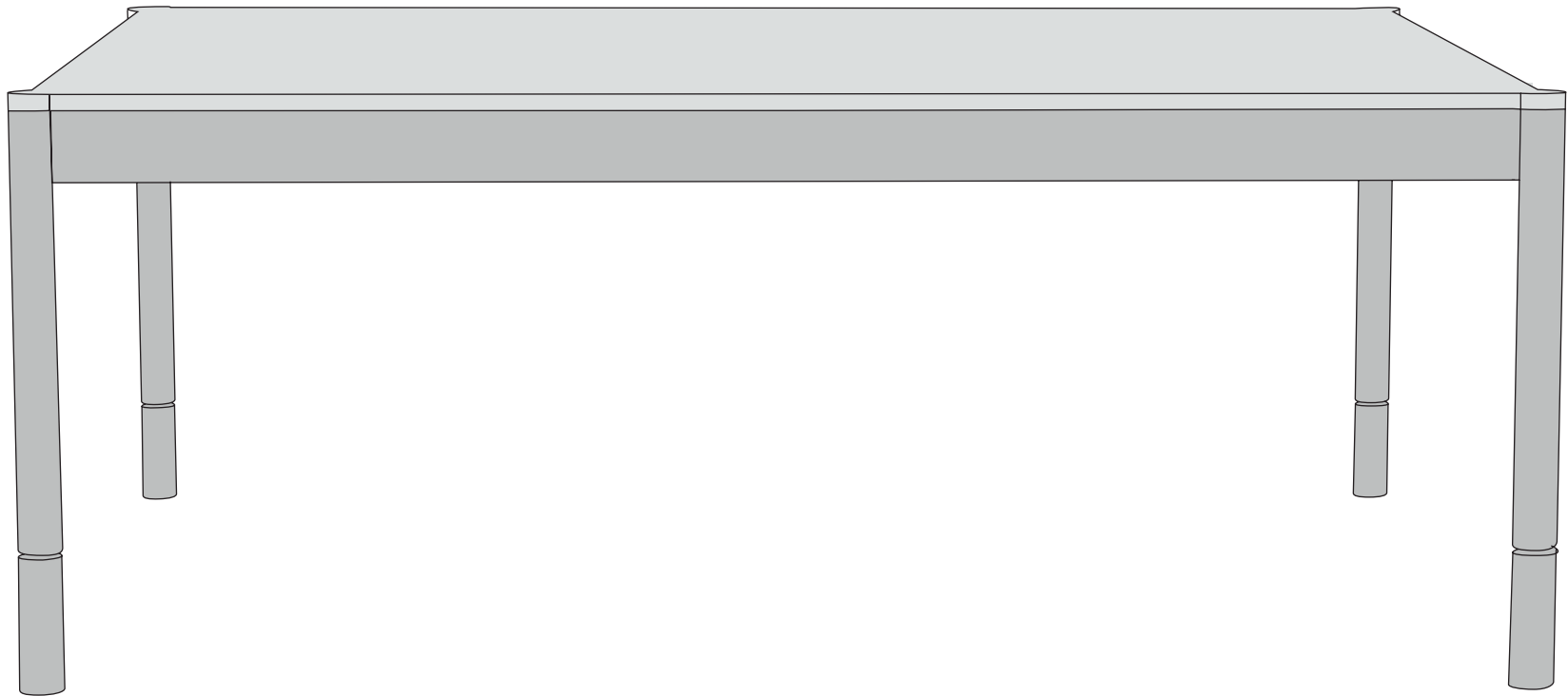
Customer Service:

1.800.944.2233 inside the U.S.

1.203.614.0600 outside the U.S.



For care instructions, please visit [dwr.com/learn](http://dwr.com/learn).

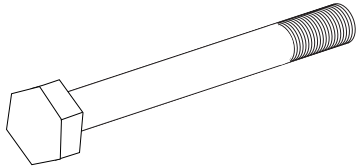


# Morrison Dining Table

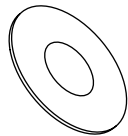
## READ BEFORE BEGINNING ASSEMBLY:

Please identify all parts and have the required hardware before you begin. Read all instructions before assembly. Carefully remove all of the components from the packaging and set aside for assembly. Assemble on a clean and flat soft surface to prevent scratching during assembly. Tighten all components securely before use. **DO NOT** use this product if any parts are missing or broken. **DO NOT** substitute parts. Check parts and hardware periodically for tightness and positioning. If replacement components and additional instructions are needed, or if you have any questions, contact customer service. Failure to follow these warnings and assembly instructions could result in serious injury or property damage.

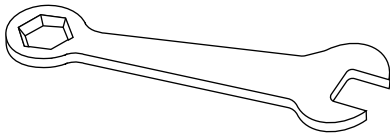
### HARDWARE LIST



Long bolt x 8

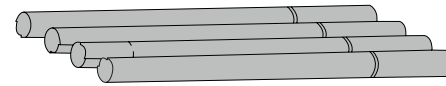


Washer x 8



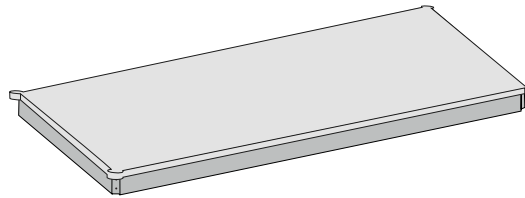
Wrench

### PARTS LIST



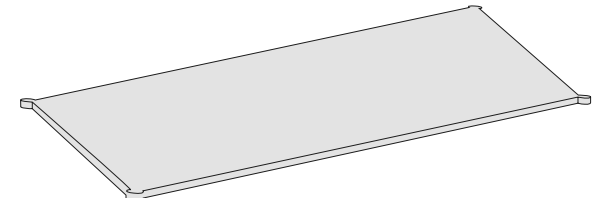
Leg x 4

#### veneer tabletop



Tabletop

#### marble tabletop



Marble top

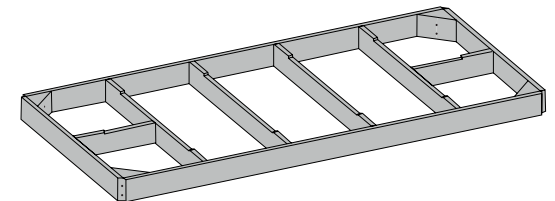
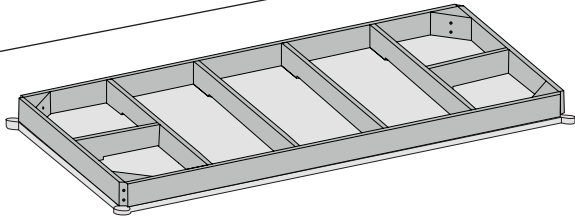


Table base frame

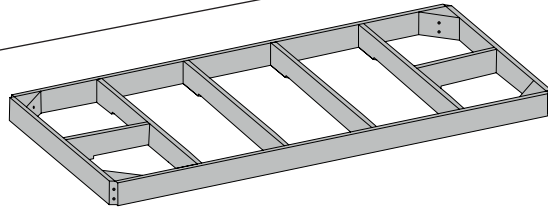
# Morrison Dining Table

1. On a soft surface, lay table base frame upside down. For marble top version, frame cutouts should be facing down. For marble top version, wait to install marble top until step 6.

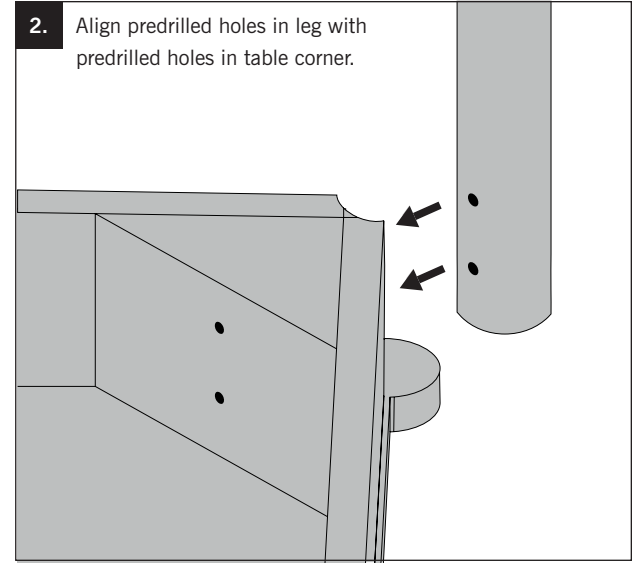
veneer tabletop



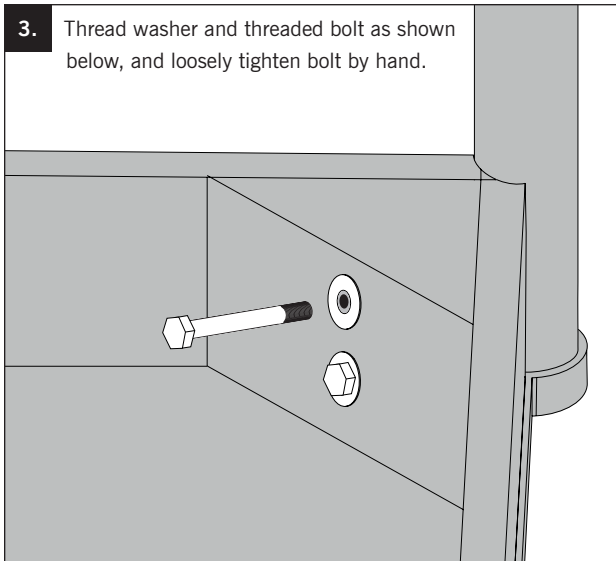
marble tabletop



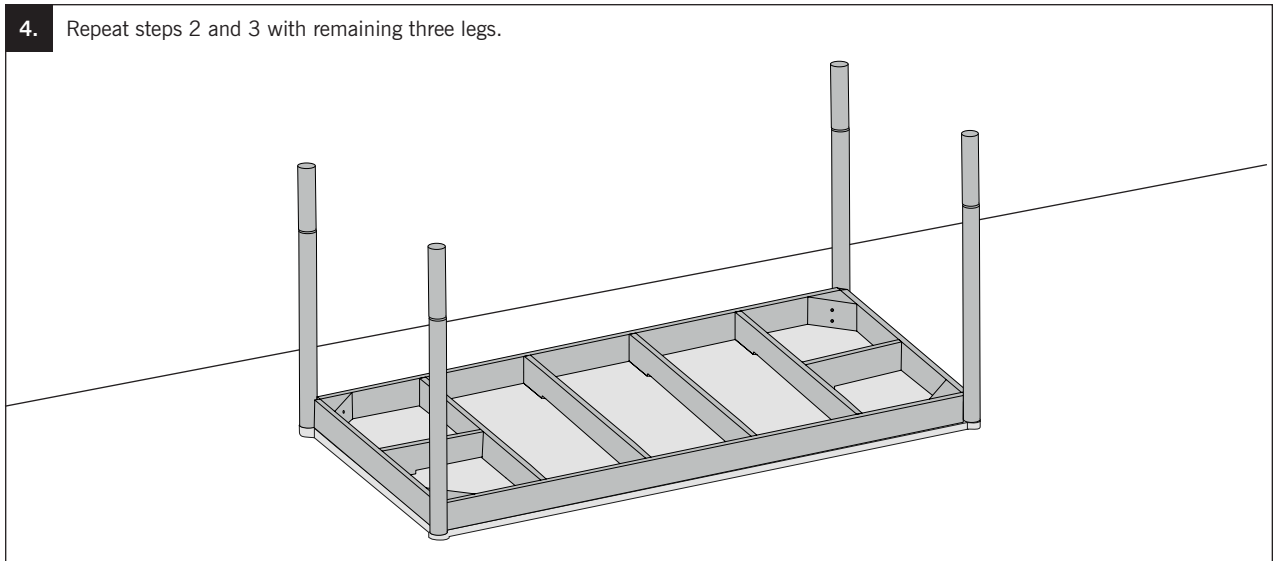
2. Align predrilled holes in leg with predrilled holes in table corner.



3. Thread washer and threaded bolt as shown below, and loosely tighten bolt by hand.

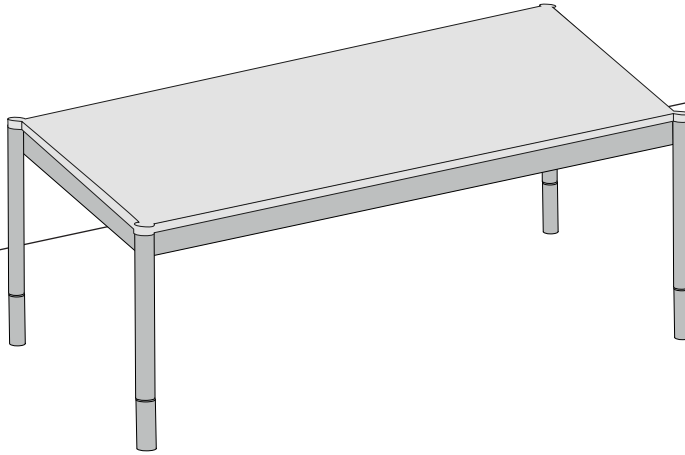


4. Repeat steps 2 and 3 with remaining three legs.



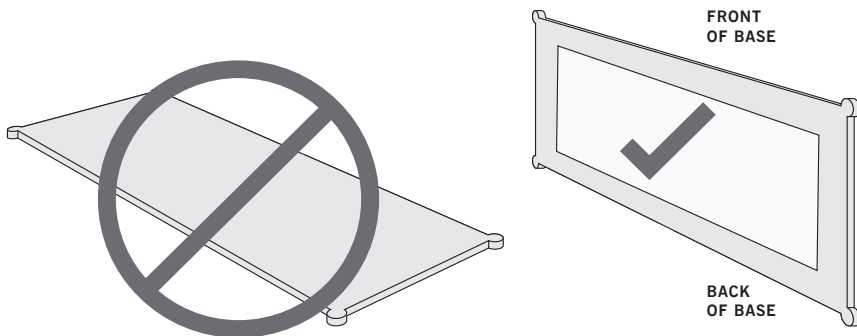
## Morrison Dining Table

5. Carefully flip table upright.  
For veneer top, skip to step 7.

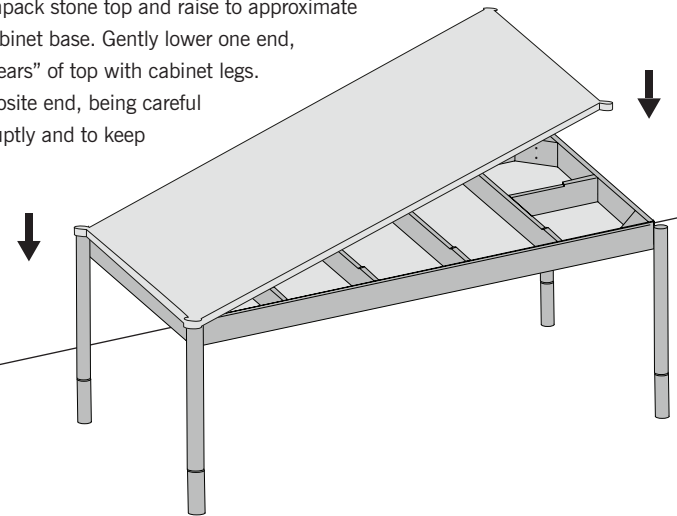


### PLEASE NOTE:

Stone top is especially subject to breaking if carried in a flat orientation. When moving, always make sure to tip vertically and handle with extraordinary care. When setting top down, lay flat on a padded surface – do not lean against another object. Stone top has locator blocks on underside that must be properly aligned with base, as shown.

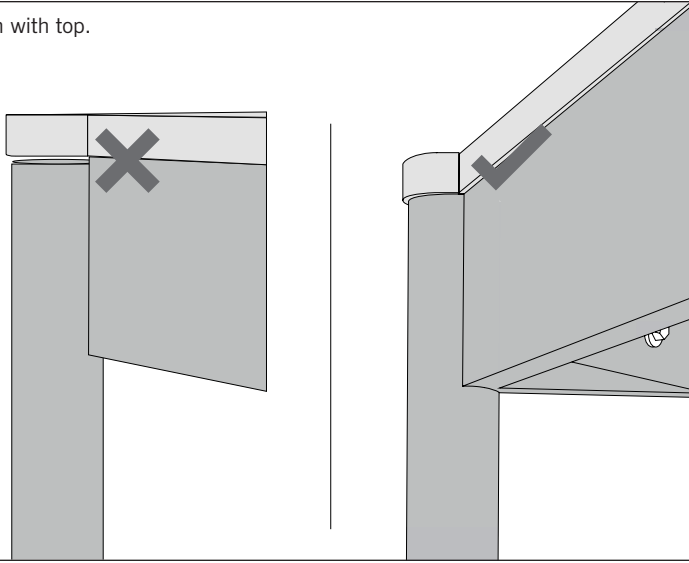


6. Marble only: Unpack stone top and raise to approximate position over cabinet base. Gently lower one end, aligning stone "ears" of top with cabinet legs. Then lower opposite end, being careful not to drop abruptly and to keep fingers clear.

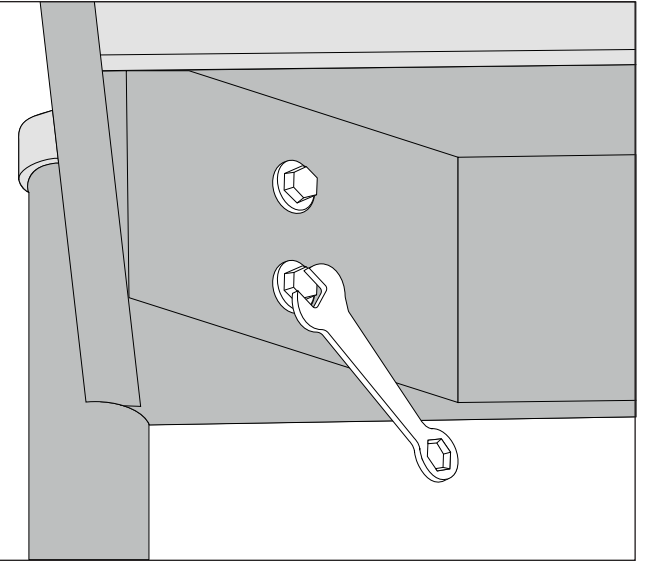


## Morrison Dining Table

7. Ensure legs are flush with top.



8. Use wrench to tighten bolts in all four corners.



9. Once desk is fully assembled, assess if it's level, and adjust leveling glides as needed.

