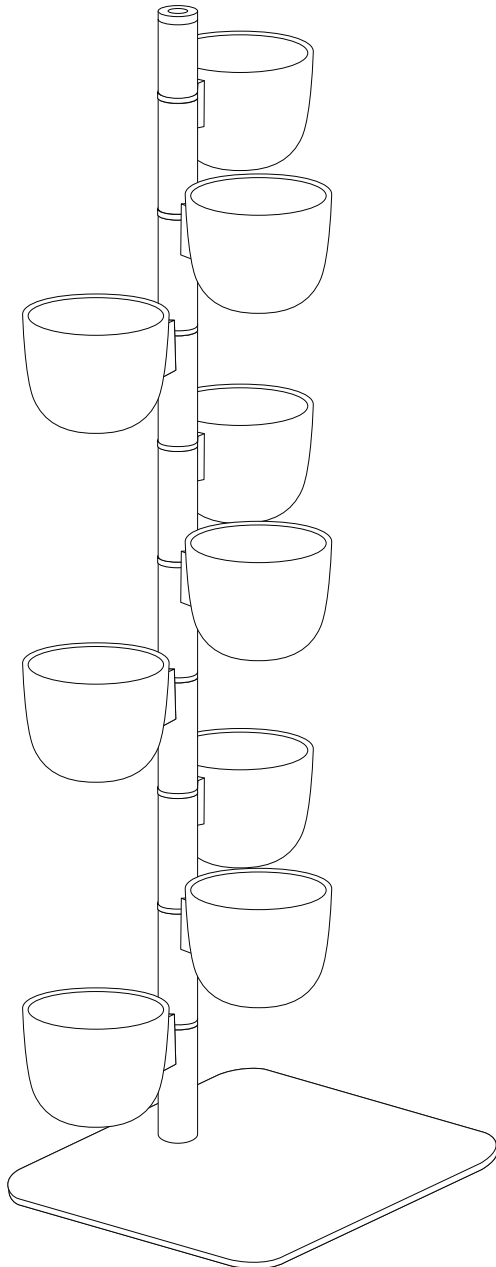
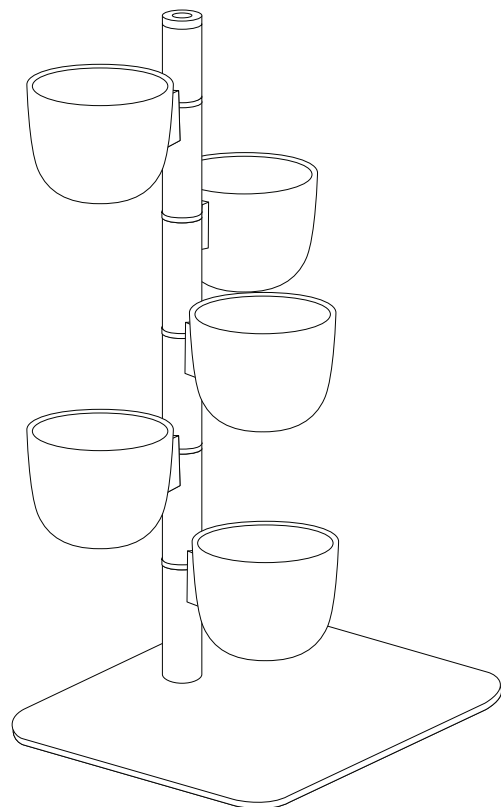


Story Planter
Designed by Afteroom

Customer Service:
1.800.944.2233 inside the U.S.
1.203.614.0600 outside the U.S.



Nine-Bowl Planter



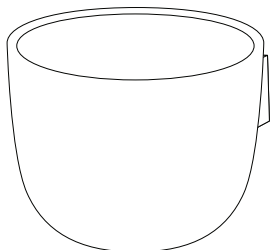
Five-Bowl Planter

Story Planter

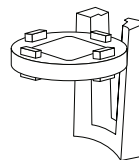
Designed by Afteroom

Hardware Checklist

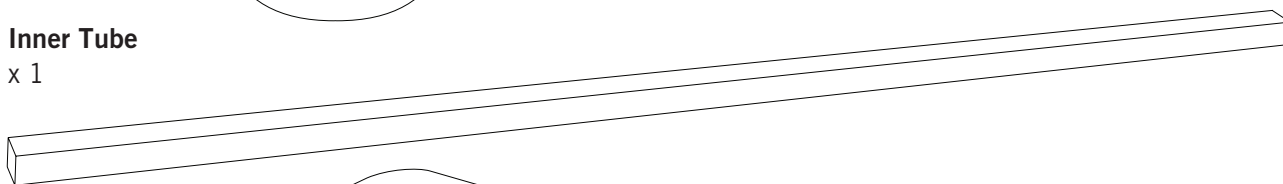
Planter bowl
x 5 or x 9



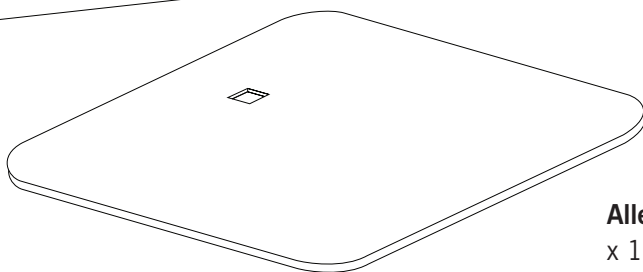
Planter bracket
x 5 or x 9



Inner Tube
x 1



Base
x 1



Allen wrench
x 1



Top sleeve
x 1



Topper
x 1



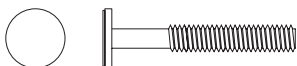
Sleeve
x 5 or x 9



Cap
x 1



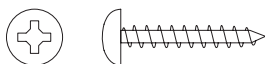
Bolt
x 2



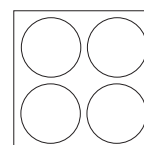
Adjustable safety strap
x 1



Screw
x 2



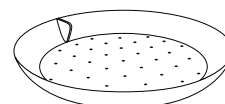
Felt foot pads
x 4



Wall anchor
x 2



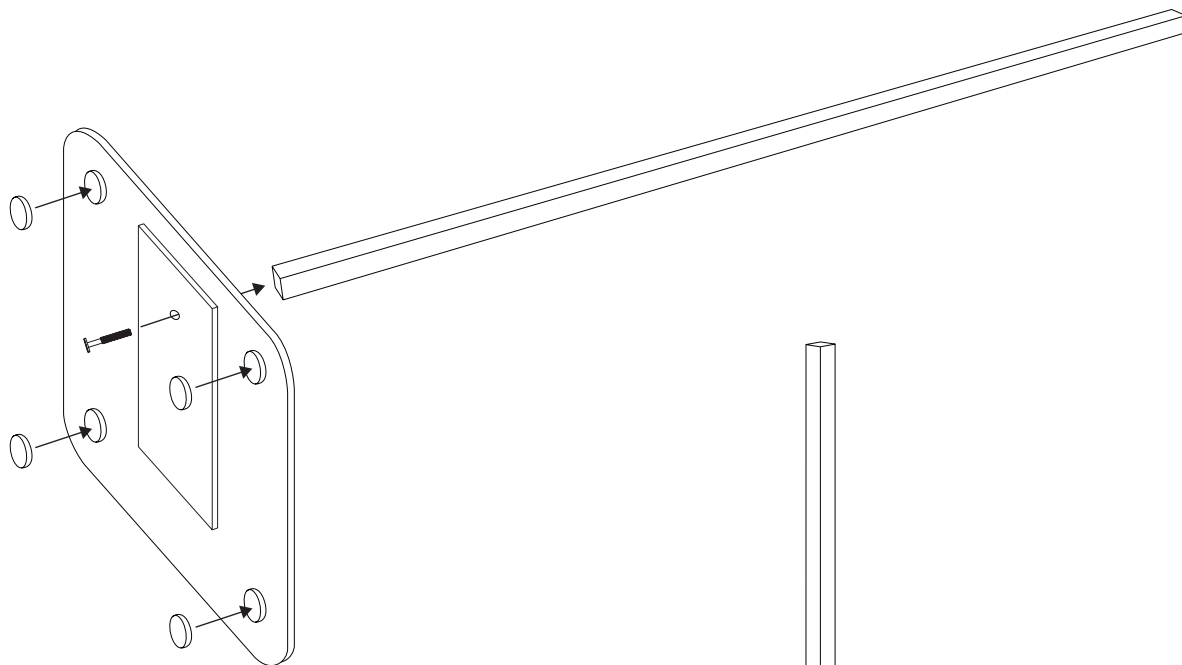
Strainer
Optional bowl strainer,
available at dwr.com



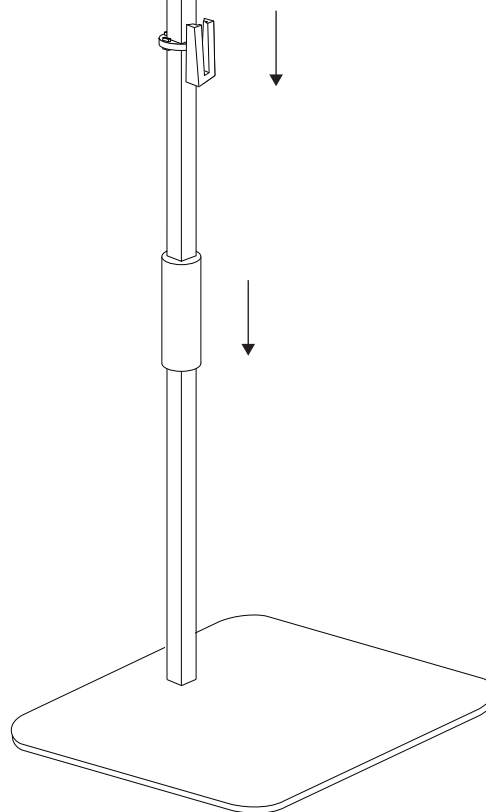
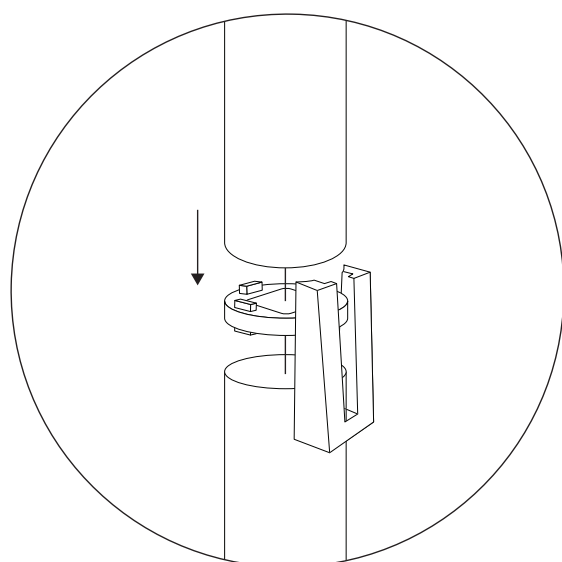
Story Planter

Designed by Afteroom

1. Place felt foot pads onto disks on underside of base as shown, then bolt inner tube to base using one bolt.



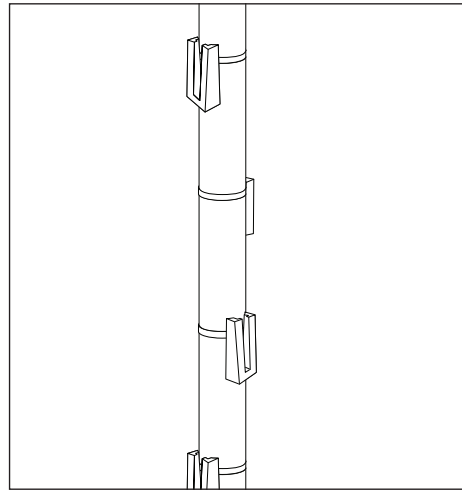
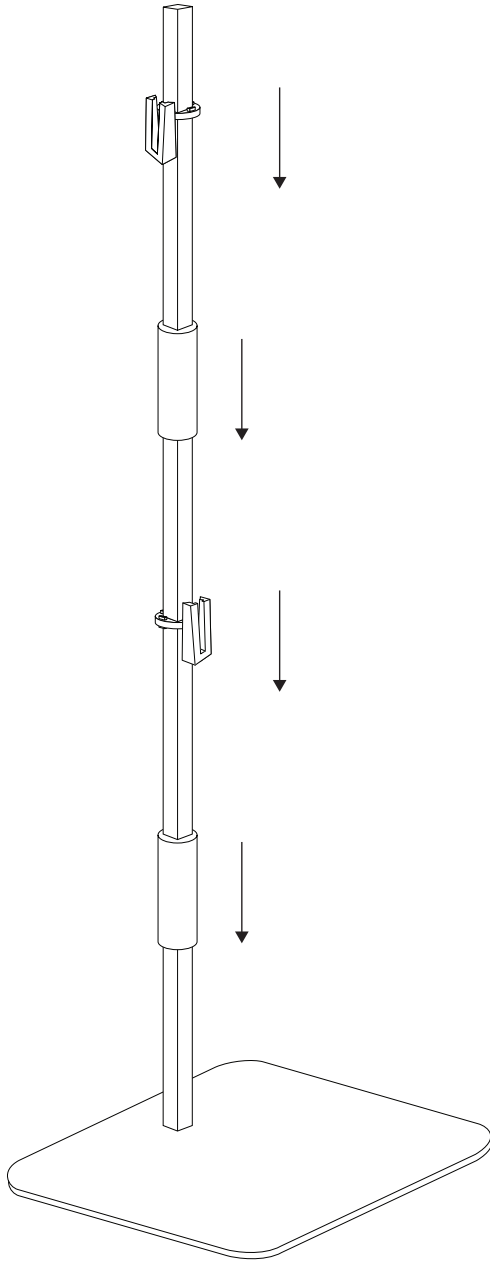
2. Slide one sleeve down inner tube, then planter bracket. Burls on bracket ensure alignment left, right or straight ahead.



Story Planter

Designed by Afteroom

3. Continue to alternate one sleeve, then one planter bracket until all have been installed.



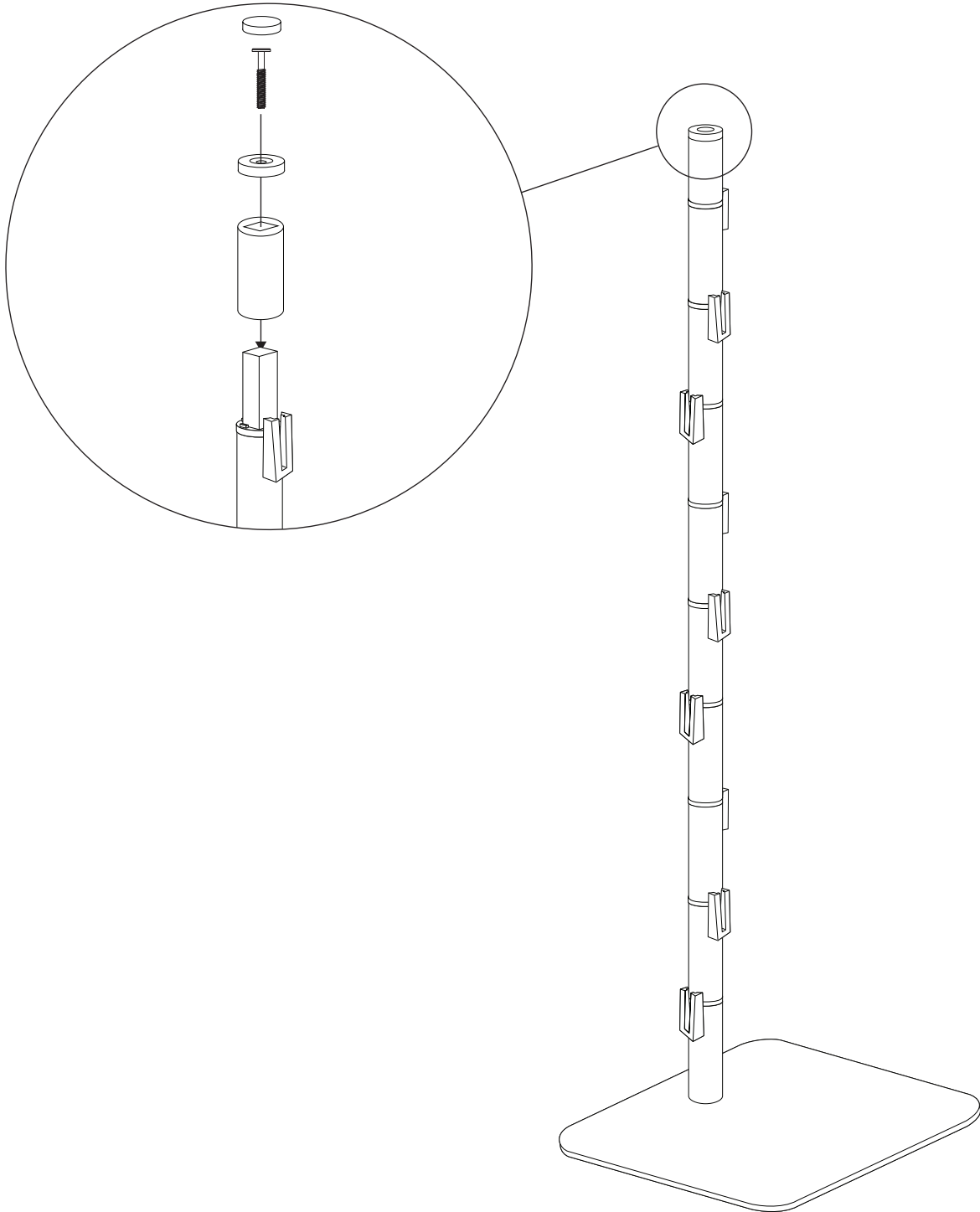
Planter brackets should be oriented to variably face left, right or straight ahead, no two adjacent brackets facing same direction.

Do not face brackets to rear.

Story Planter

Designed by Afteroom

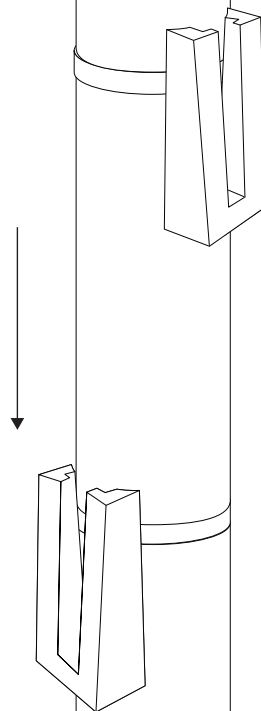
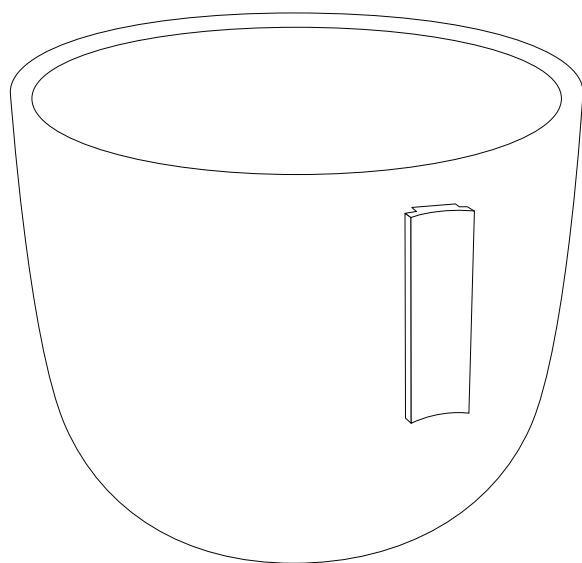
4. Finish with top sleeve, cap, one bolt and topper, tightening with Allen wrench.



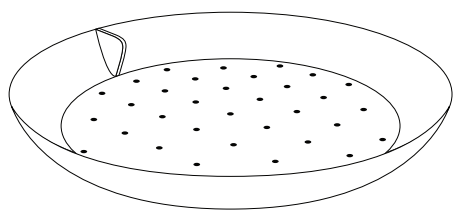
Story Planter

Designed by Afteroom

5. Once tower is assembled, attach planter bowls by sliding onto brackets as shown.



Install optional strainer(s) into bowl(s).



Story Planter

Designed by Afteroom

6. Wrap safety strap around post near center of column. Secure to wall using wall anchors and screws. Please note that provided wall anchors are intended for use on drywall. Be sure to use an anchoring system appropriate to your wall material.

