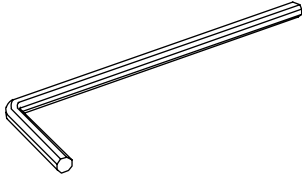


# Miro Queen Bed

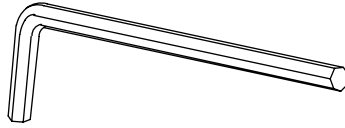
Designed by Gabriel Tan for Design Within Reach



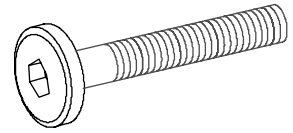
## Hardware List



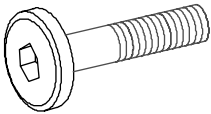
Allen wrench x 1  
4mm



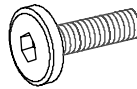
Allen wrench x 1  
5mm



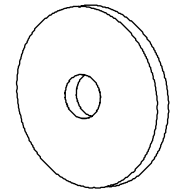
Long bolt x 8  
M8 x 45mm



Medium bolt x 4  
M8 x 30mm

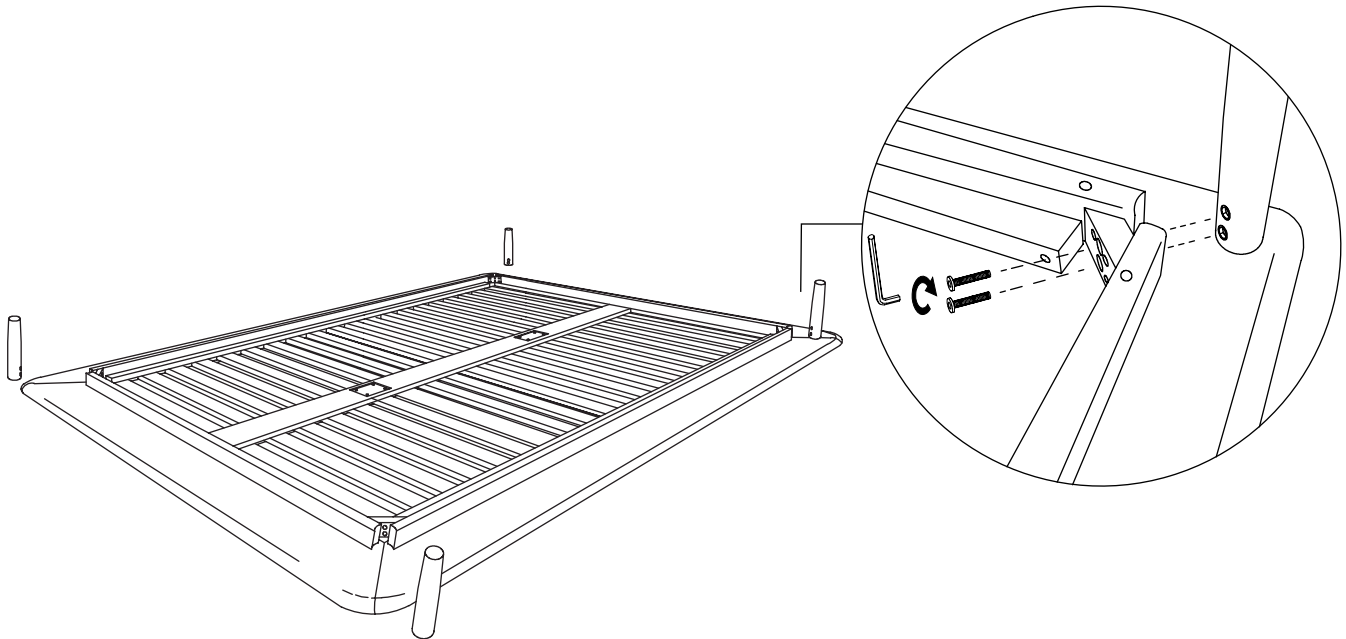


Short bolt x 8  
M6 x 20mm



Flat washer x 4  
5mm x 50mm

1. Position bed frame upside down on a carpet or surface protected with a blanket or other soft material. Attach any corner leg to corner of frame using two long bolts, as shown. Tighten evenly with 5mm Allen wrench until both bolts are snug. Repeat with other three corner legs.



### Customer Service:

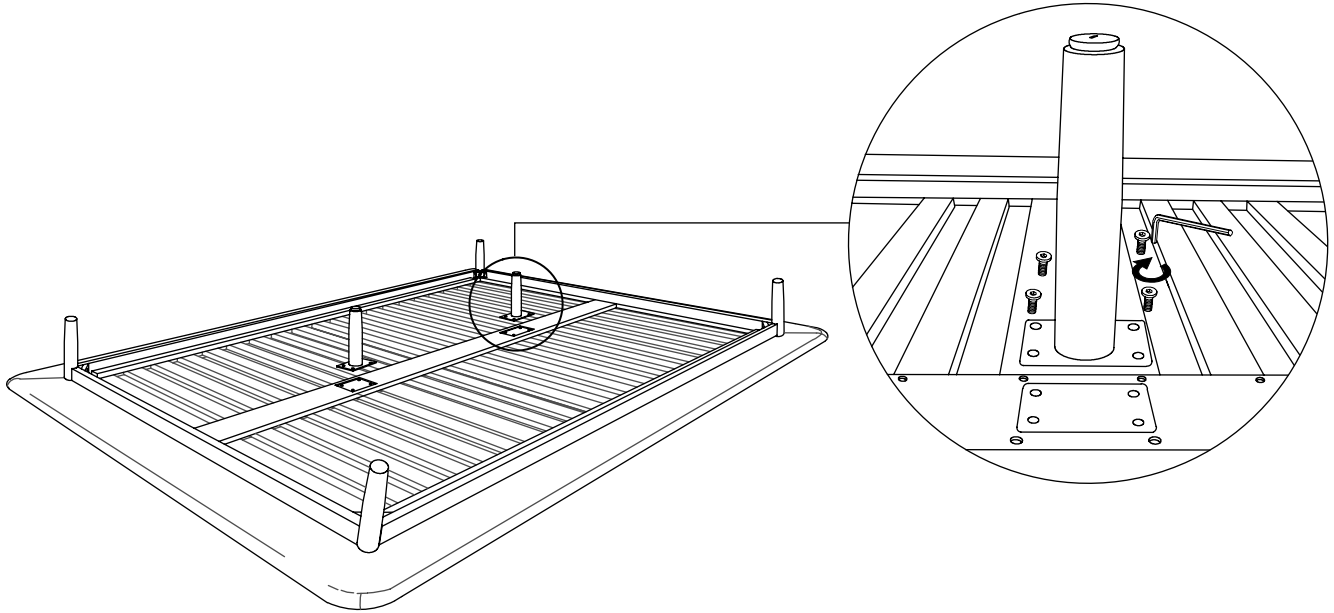
1.800.944.2233 inside the U.S.

1.203.614.0600 outside the U.S.

For care instructions, please visit  
[dwr.com/learn](http://dwr.com/learn).

## Miro Queen Bed

2. Attach one center leg to frame with four short bolts, as shown. Tighten evenly with 4mm Allen wrench until all bolts are snug. Repeat with other leg.



3. Turn bed frame right-side up and position near final location with holes at head position. Attach headboard to frame using washer and medium bolt, as shown. Tighten bolts evenly with 5mm Allen wrench

