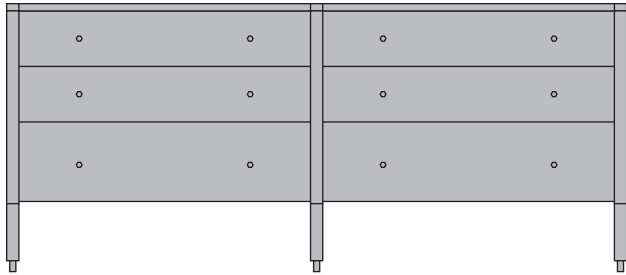
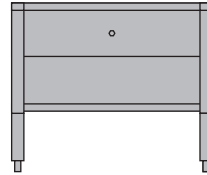


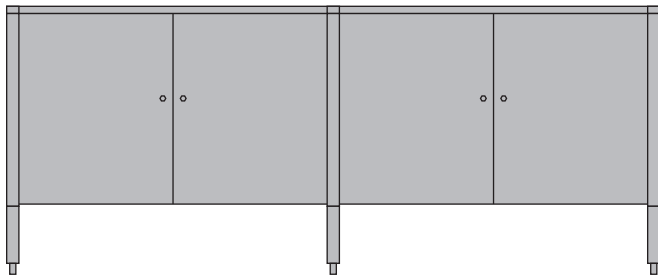
Morrison Collection
Designed by Egg Collective



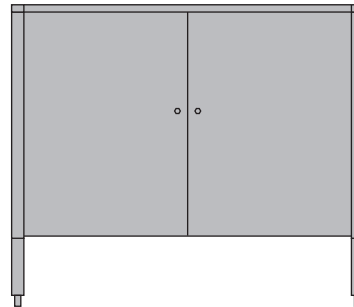
DRESSER



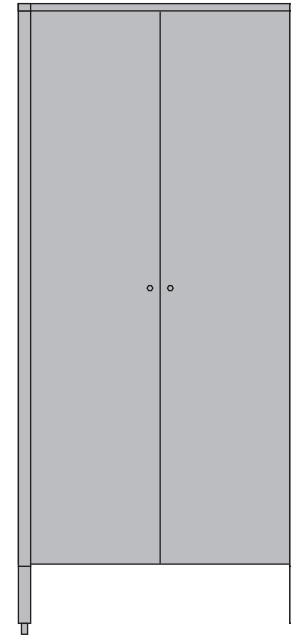
NIGHTSTAND



CREDENZA



CONSOLE



ARMOIRE

Care Instructions

CARING FOR BRASS

Knobs and feet are made of solid brass, which will develop a beautiful patina over time. If you prefer the brass to retain its “new” appearance, apply Trewax® Paste Wax or another variety of high-quality carnauba wax occasionally.

CARING FOR STONE

Wipe regularly with a clean microfiber cloth dampened with a solution of mild detergent and warm water. A pH-balanced stone cleaner may also be used. Do not use steel wool or other abrasives, which will scratch and dull the surface. Do not use

window cleaners. Spills of wine, coffee, ketchup, oils and acidic substances such as vinegar and citrus fruits should be wiped clean immediately because they can discolor the surface. We recommend applying a stone sealer every year to help protect the finish.

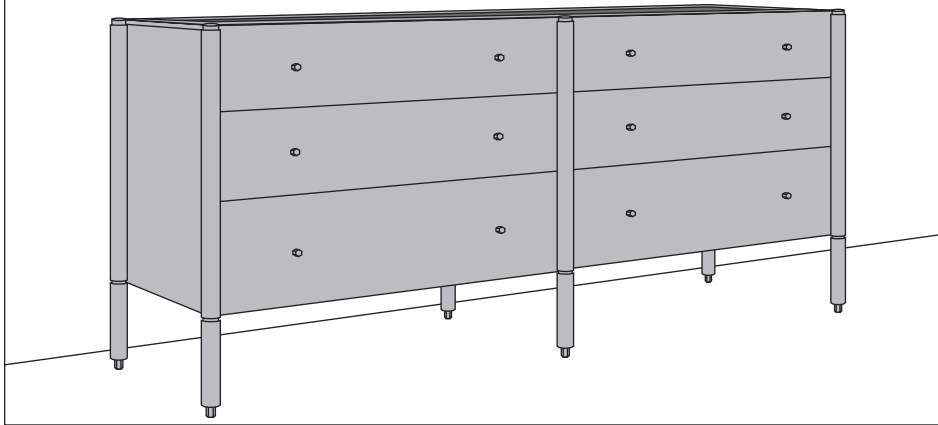
CARING FOR WOOD

Wipe up spills immediately. Dust often using a soft, dry, lint-free cloth. Wipe occasionally with a soft cloth dampened with a solution of warm water and mild detergent, then dry immediately with a lint-free cloth.

Morrison Collection

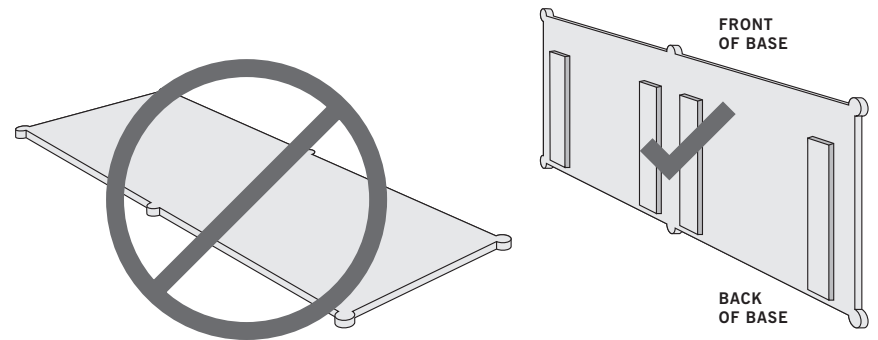
Designed by Egg Collective

1. Position cabinet base without stone top near final location in room.

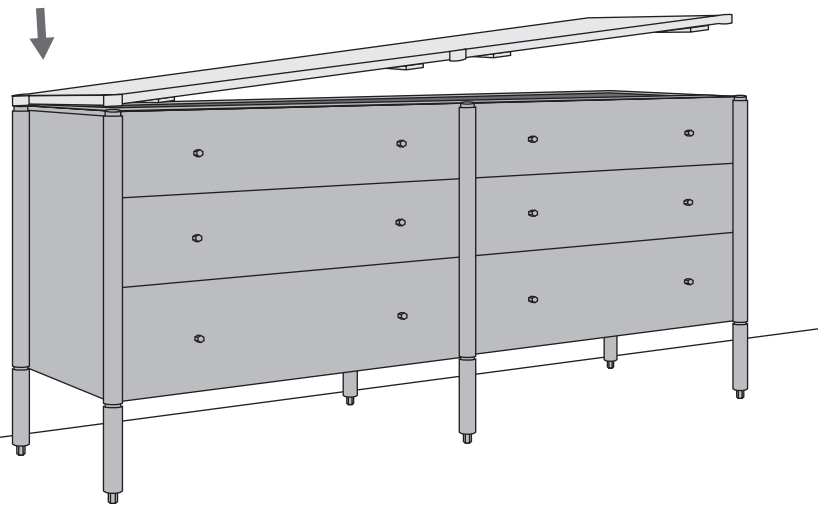


PLEASE NOTE:

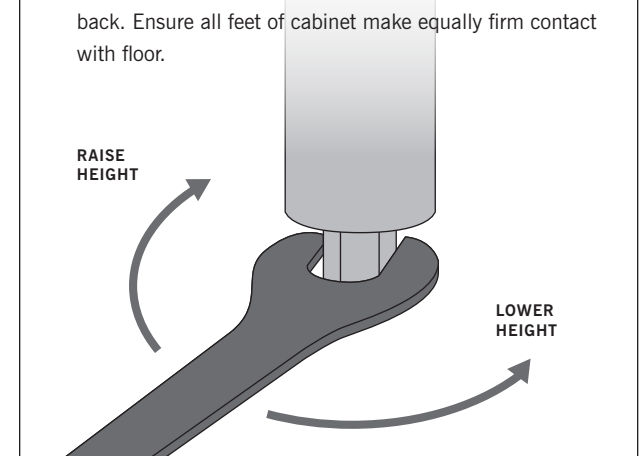
Stone top is especially subject to breaking if carried in a flat orientation. When moving, always make sure to tip vertically and handle with extraordinary care. When setting top down, lay flat on a padded surface – do not lean against another object. Stone top has locator blocks on underside that must be properly aligned with base, as shown.



2. Unpack stone top and raise to approximate position over cabinet base. Gently lower one end, aligning stone "ears" of top with cabinet legs. Then lower opposite end, being careful not to drop abruptly and to keep fingers clear.



3. After installation of stone top, cabinet can be leveled if necessary. Using provided wrench and a level, turn brass feet as indicated until level from side to side and front to back. Ensure all feet of cabinet make equally firm contact with floor.



Morrison Collection

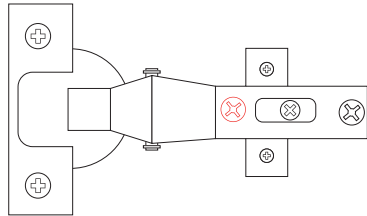
Designed by Egg Collective

Door Adjustments

NOTE: Remove cover to access adjustment screws.

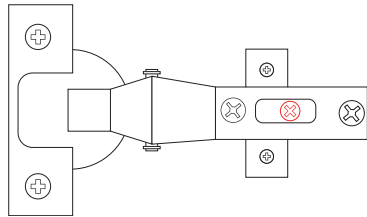
LEFT/RIGHT ADJUSTMENT

Turn screw nearest hinge to adjust door left or right.



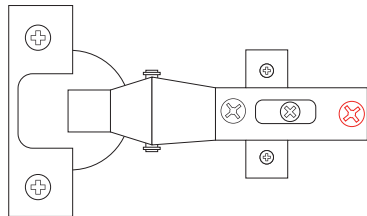
UP/DOWN ADJUSTMENT

Loosen center screw, as shown, and manually adjust door up or down.

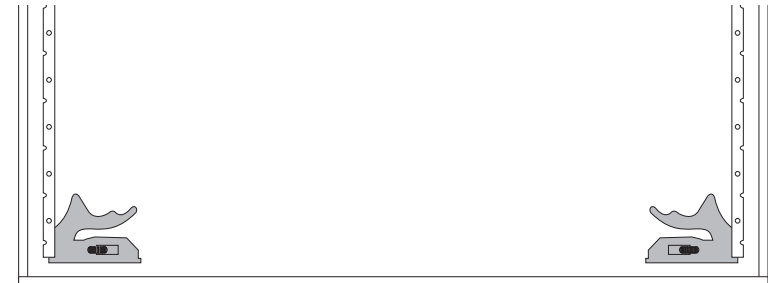


IN/OUT ADJUSTMENT

Turn screw farthest from hinge to adjust door in or out.



Drawer Adjustments



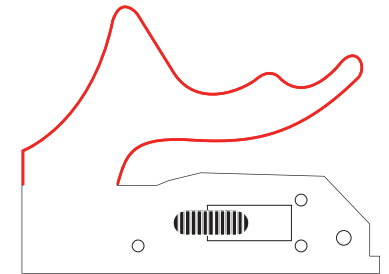
Underside of drawer

HOW TO RELEASE DRAWER SLIDES

Squeeze both handles at front underside of drawer and firmly pull drawer forward.

HOW TO REINSTALL DRAWER

Fully extend drawer slides and place drawer box on top of slides. Pull each drawer slide forward until it locks into both left and right side clips. You will hear a “click” when slide is locked properly.



HOW TO ADJUST DRAWER FACE

Drawer faces can be leveled by sliding small adjustment knob forward and back or side to side. Each knob adjusts a single corresponding side of drawer face.

