

SARAH ELLISON.

EARTH DINING TABLE ASSEMBLY INSTRUCTIONS

Thank you for purchasing the Sarah Ellison Earth Dining Table. This document lists the contents included in your delivery. Please take the time to identify the hardware, as well as the individual components of this product. As you unpack and prepare for assembly, place the contents on a carpeted or padded area to protect them from damage.

HARDWARE

16 x 1/4x20mm bolt screws

TOOLS REQUIRED

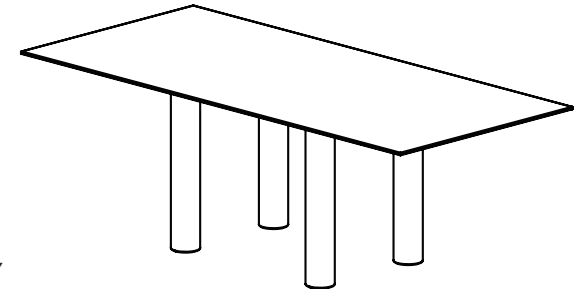
Allen key

PEOPLE REQUIRED FOR ASSEMBLY

A minimum of two people are required to assemble this product

ESTIMATED TIME OF ASSEMBLY

30 minutes



CUSTOMER SERVICE

For Australian customer service contact : info@sarahellison.com.au

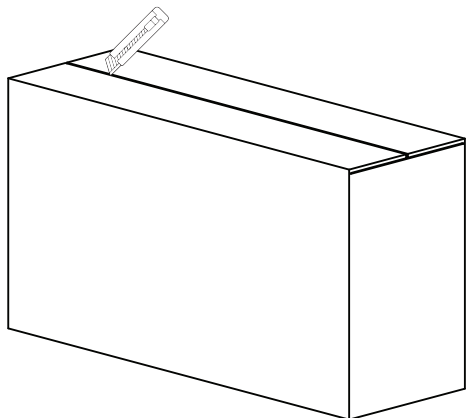
For any international customer service inquires please contact the retailer of purchase.

S E.

SARAH ELLISON.

STEP 1

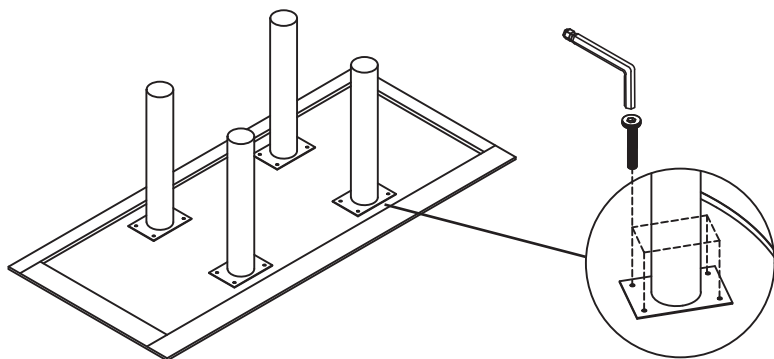
Unpack the table top and base from each carton of packaging. Open box carefully, ensuring the blade of the knife does not come into contact with the product.



STEP 2

Place the table top face down onto a clean, flat, surface (we recommend using a towel or sheet underneath for protection).

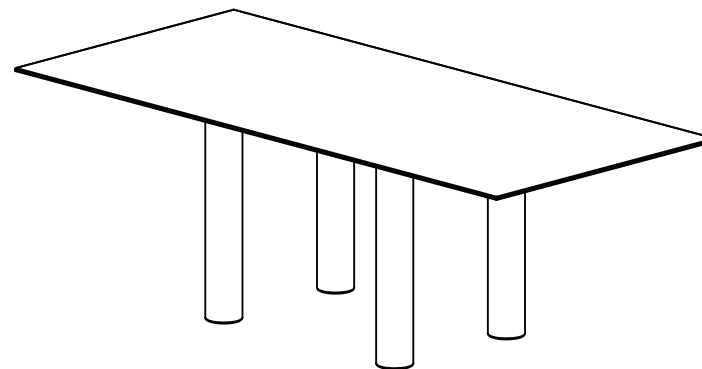
Arrange the the legs on the underside of the table and fasten each of the bolts provided into the table using the provided allen key.



SARAH ELLISON.

STEP 3

Carefully turn the table over (2 persons are recommended). When lifting and flipping your table to be the correct way up, do not use the legs as a tilting point. Their connection to the table top is not designed to be a leverage point and the level of load through this joint may cause the legs to be damaged or break. It is our recommendation that you check and tighten all screws every 6 months.



CARE INSTRUCTIONS

With a little care you can prolong the life of your furniture. The following information is only intended as a general guideline. Please follow the instructions to ensure maximum longevity of your Sarah Ellison furniture. Our timber pieces are all treated and sealed for everyday living, but it is important to be mindful in their placement, as extreme conditions (such as harsh sunlight) can change the colour of the timber. Timber is responsive to its environment, be mindful that heat and moisture can cause movement and cracks in joints and damage lacquer. We recommend using placemats and trivets to avoid spills soaking into the timber, and to also protect against heat transfer. The general rule is if something is too hot to hold, it is too hot to place on timber. Should spills occur, wipe immediately with a damp cloth. Periodically also check and re-tighten any fasteners, we recommend every six months.

SARAH ELLISON.

EARTH DINING TABLE ROUND ASSEMBLY INSTRUCTIONS

Thank you for purchasing the Sarah Ellison Earth Dining Table. This document lists the contents included in your delivery. Please take the time to identify the hardware, as well as the individual components of this product. As you unpack and prepare for assembly, place the contents on a carpeted or padded area to protect them from damage.

HARDWARE

16 x 1/4x20mm bolt screws

TOOLS REQUIRED

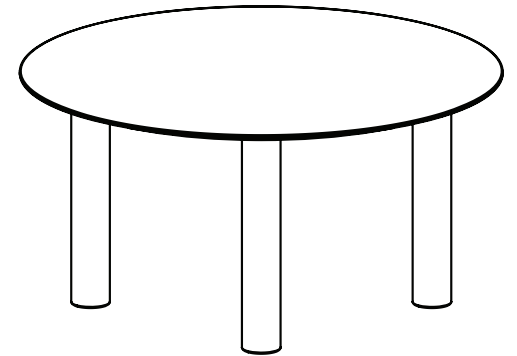
Allen key

PEOPLE REQUIRED FOR ASSEMBLY

A minimum of two people are required to assemble this product

ESTIMATED TIME OF ASSEMBLY

30 minutes



CUSTOMER SERVICE

For Australian customer service contact : info@sarahellison.com.au

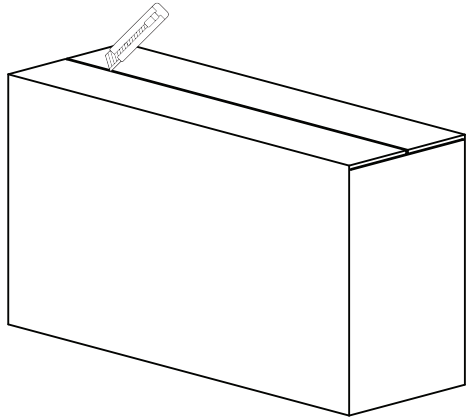
For any international customer service inquires please contact the retailer of purchase.

S E.

SARAH ELLISON.

STEP 1

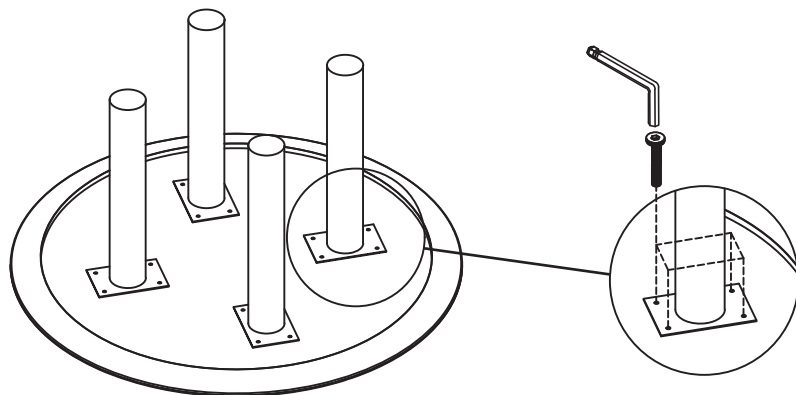
Unpack the table top and base from each carton of packaging. Open box carefully, ensuring the blade of the knife does not come into contact with the product.



STEP 2

Place the table top face down onto a clean, flat, surface (we recommend using a towel or sheet underneath for protection).

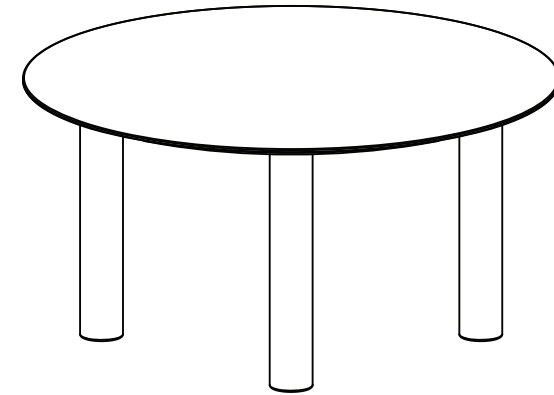
Arrange the the legs on the underside of the table and fasten each of the bolts provided into the table using the provided allen key.



SARAH ELLISON.

STEP 3

Carefully turn the table over (2 persons are recommended). When lifting and flipping your table to be the correct way up, do not use the legs as a tilting point. Their connection to the table top is not designed to be a leverage point and the level of load through this joint may cause the legs to be damaged or break. It is our recommendation that you check and tighten all screws every 6 months.



CARE INSTRUCTIONS

With a little care you can prolong the life of your furniture. The following information is only intended as a general guideline. Please follow the instructions to ensure maximum longevity of your Sarah Ellison furniture. Our timber pieces are all treated and sealed for everyday living, but it is important to be mindful in their placement, as extreme conditions (such as harsh sunlight) can change the colour of the timber. Timber is responsive to its environment, be mindful that heat and moisture can cause movement and cracks in joints and damage lacquer. We recommend using placemats and trivets to avoid spills soaking into the timber, and to also protect against heat transfer. The general rule is if something is too hot to hold, it is too hot to place on timber. Should spills occur, wipe immediately with a damp cloth. Periodically also check and re-tighten any fasteners, we recommend every six months.