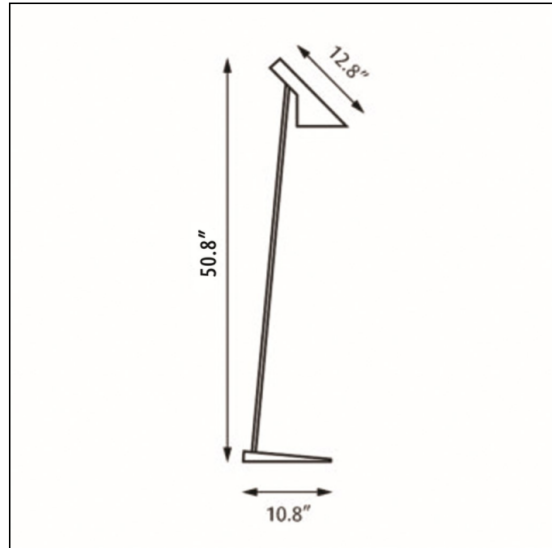


AJ Floor

90328-AJ-FLOOR

PRODUCT SPECIFICATION

Product description



Design Arne Jacobsen

Concept The fixture emits downward directed light. The angle of the shade can be adjusted to optimize light distribution. The shade is painted white on the inside to ensure a soft comfortable light.

Finish Blue/Green, petroleum, red, sand, yellow/green, black, graphite grey or white, wet painted.

Material Base: Die cast zinc. Shade: Spun steel. Stem: Steel.

Mounting Cord type: Black except for white version: white. Cord length: 9'. Switch: In-line on/off foot switch provided.

Weight Max. 8 lbs.

Label cULus, Dry location. IBEW.

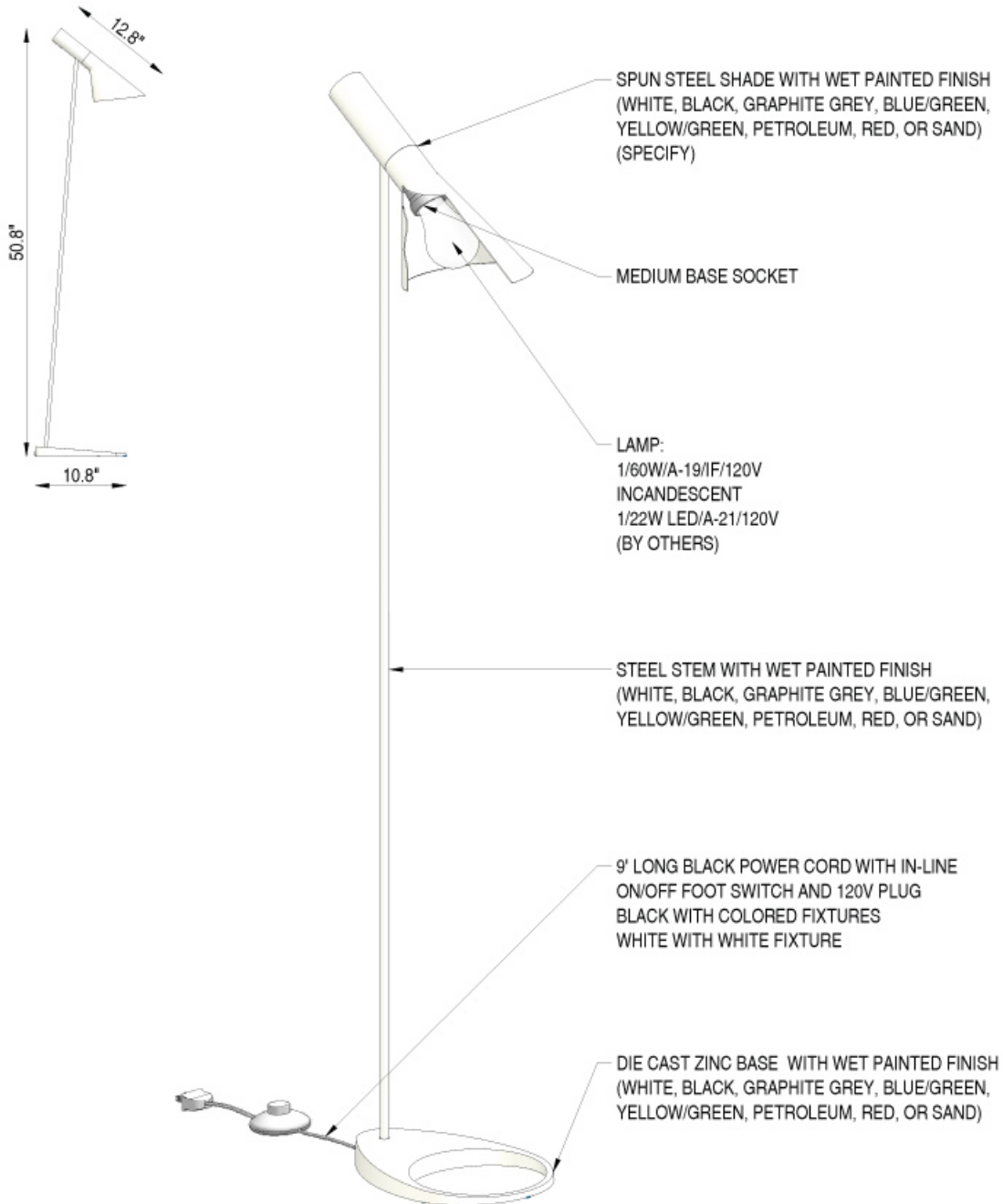
Product Code	Light source	Voltage	Finish
AJ-F	1/22W LED/A-21/medium 1/60W/A-19/IF medium	120V	BLK BLUE/GREEN GRP GREY PETROLEUM RED SAND WHT YELLOW/GREEN

AJ Floor

90328-AJ-FLOOR

PRODUCT SPECIFICATION

Material description

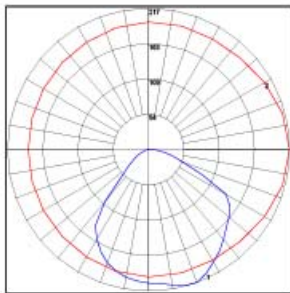


AJ Floor

90328-AJ-FLOOR

PRODUCT SPECIFICATION

Light Measurements



Photometric Report: AJ-F-1-60W-INC
 Report No: Louis Poulsen Lighting A/5
 Poulsen Report No: AJ-F-1-60W-INC
 Luminaire: AJ FLOOR
 Lamp: 1/60W/INC/A-19
 Efficiency: 69%
 Description: All data shown are per 730 lumens. This report can be used for calculation on all versions listed below. Use only actual lumen data calculating.

Candlepower Distribution

Vertical Angle	Candela
0	204.8
5	206.2
15	216.7
25	209.3
35	189.8
45	169.0
55	152.8
65	90.2
75	38.8
90	4.1
120	0.2
150	0.3
180	0.5

Zonal Lumen Summary

Zone	Lumens	% Lamp	% Fixture
0-20	78.25	10.40	15.10
0-30	162.90	22.30	32.20
0-40	266.15	36.50	52.60
0-60	435.11	59.60	88.00
0-80	497.30	68.10	98.30
0-90	503.57	69.00	99.60
10-90	484.07	66.30	95.70
20-40	189.90	26.00	37.50
20-50	285.53	39.10	56.40
40-70	211.36	29.00	41.80
60-80	62.19	8.50	12.30
70-80	19.80	2.70	3.90
80-90	6.27	0.90	1.20
90-110	0.89	0.10	0.20
90-120	1.14	0.20	0.20
90-130	1.37	0.20	0.30
90-150	1.83	0.30	0.40
90-180	2.25	0.30	0.40
110-180	1.36	0.20	0.30
0-180	505.82	69.30	100.00

Coefficient of utilization- Zonal Cavity Method
 Effective Floor Cavity Reflectance 0.20%

Room Cavity Ratio	Ceiling Reflectance (%)				70				50				30				10				0
	80	70	50	30	70	50	30	10	70	50	30	10	70	50	30	10	70	50	30	10	0
0	82	82	82	82	80	80	80	80	77	77	77	73	73	73	70	70	70	69	69	69	69
1	76	73	71	68	74	72	69	67	69	67	65	66	64	63	63	62	61	60	60	60	60
2	70	65	60	57	68	63	60	56	61	58	55	59	56	54	57	54	52	51	51	51	51
3	64	58	52	48	63	56	52	48	54	50	47	52	49	46	51	48	45	44	44	44	44
4	59	51	46	41	58	51	45	41	49	44	41	47	43	40	46	42	39	38	38	38	38
5	55	46	40	36	53	45	40	36	44	39	36	43	38	35	41	38	35	33	33	33	33
6	51	42	36	32	49	41	36	32	40	35	31	39	34	31	38	34	31	29	29	29	29
7	47	38	32	28	46	38	32	28	36	32	28	35	31	28	35	31	28	26	26	26	26
8	44	35	29	25	43	34	29	25	33	29	25	33	28	25	32	28	25	24	24	24	24
9	41	32	27	23	40	32	26	23	31	26	23	30	26	23	29	25	22	21	21	21	21
10	38	30	24	21	36	29	24	21	29	24	21	28	24	21	27	23	20	19	19	19	19