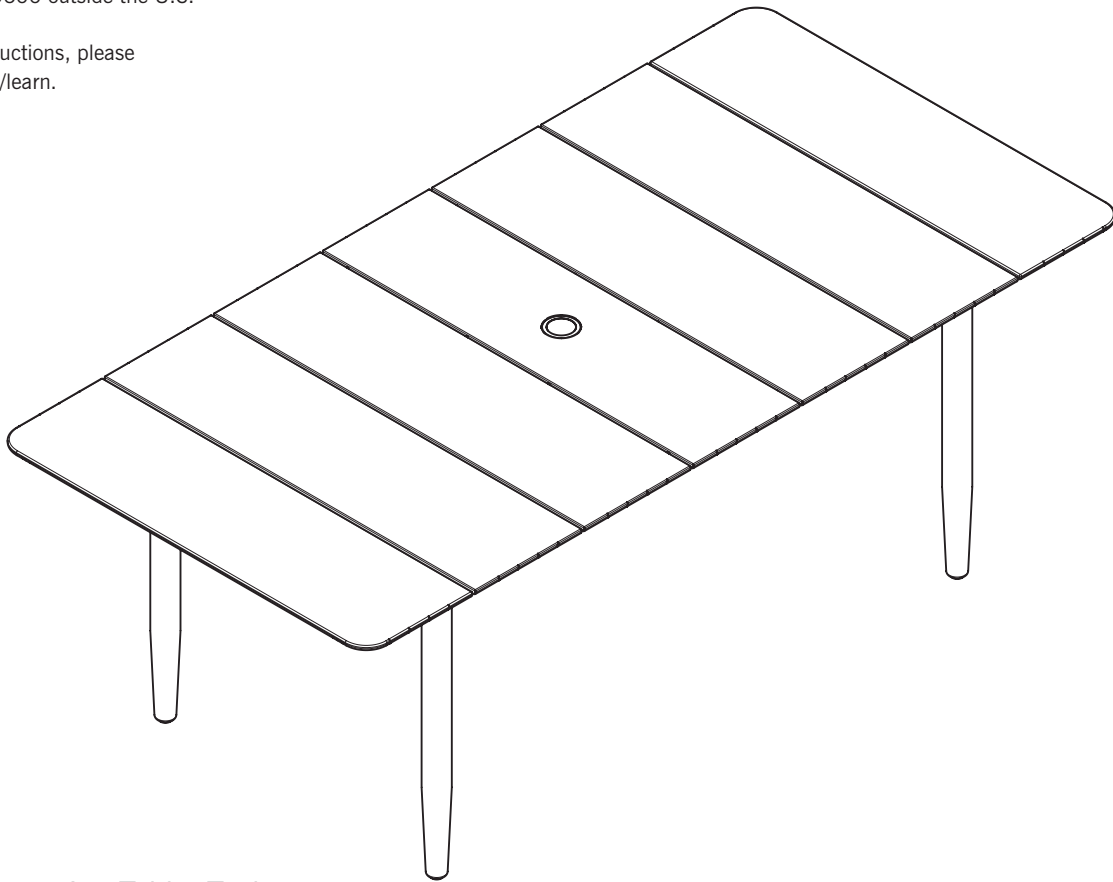


Terassi Outdoor Collection
Designed by Studio Tolvanen



Customer Service:
1.800.944.2233 inside the U.S.
1.203.614.0600 outside the U.S.

For care instructions, please
visit dwr.com/learn.



Terassi Extension Table, Teak

Parts list



Lock nut with nylon ring x 8



Wrench x 1

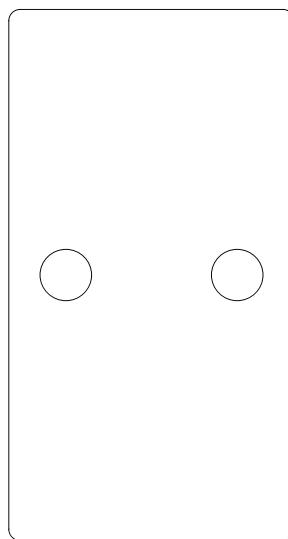
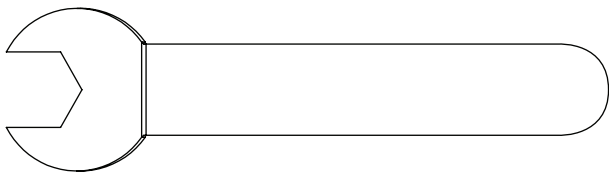
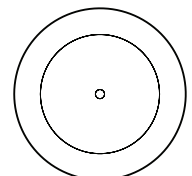
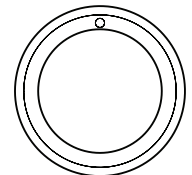


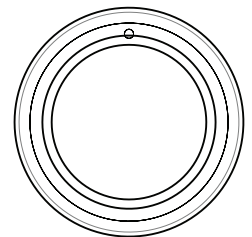
Plate washer x 4



Top plug x 1



Small reducer ring x 1



Large reducer ring x 1

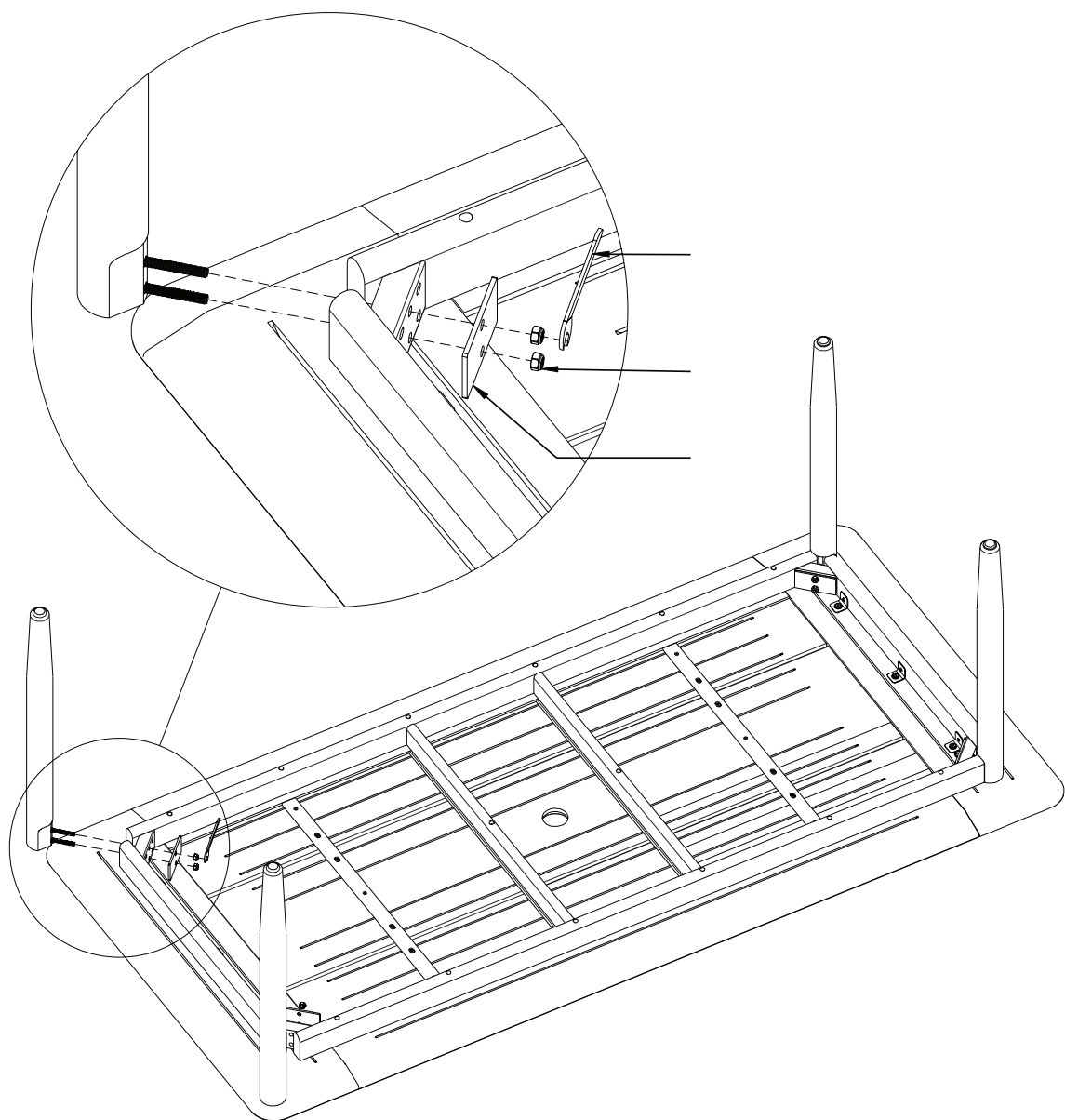
Terassi Outdoor Collection

Designed by Studio Tolvanen



Customer Service:
1.800.944.2233 inside the U.S.
1.203.614.0600 outside the U.S.

1. Place table upside down on soft surface, position a leg at corner, and slide bolts through corner brace as shown. Fit plate washer and lock nuts onto bolts and tighten nuts loosely at first and then firmly with wrench. Repeat with other three legs.



Terassi Outdoor Collection
Designed by Studio Tolvanen

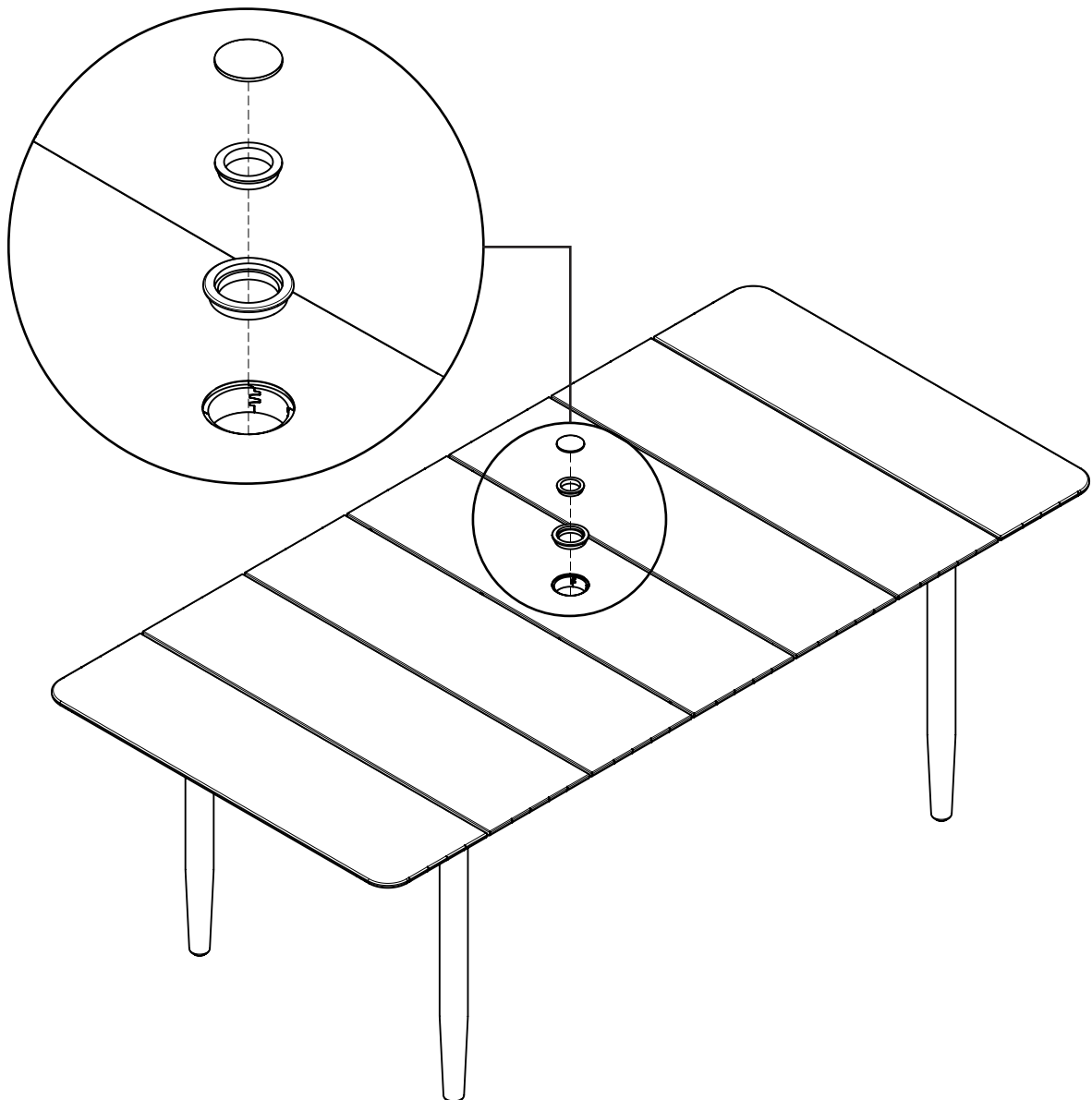


Customer Service:

1.800.944.2233 inside the U.S.

1.203.614.0600 outside the U.S.

2. Table comes with two reducer rings to match various sizes of umbrella poles. Use both reducers and cap to close hole in tabletop.

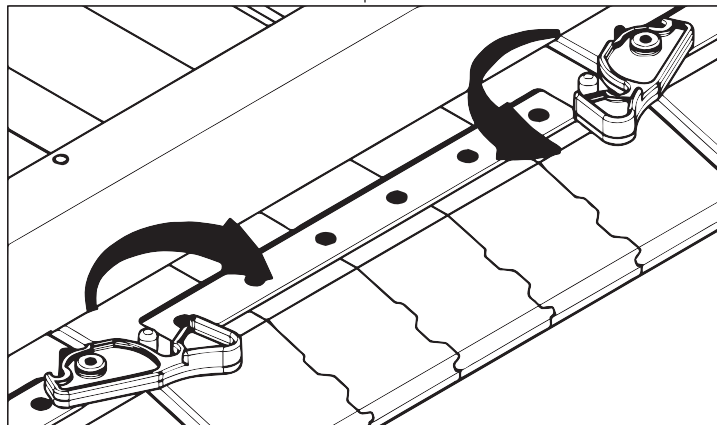
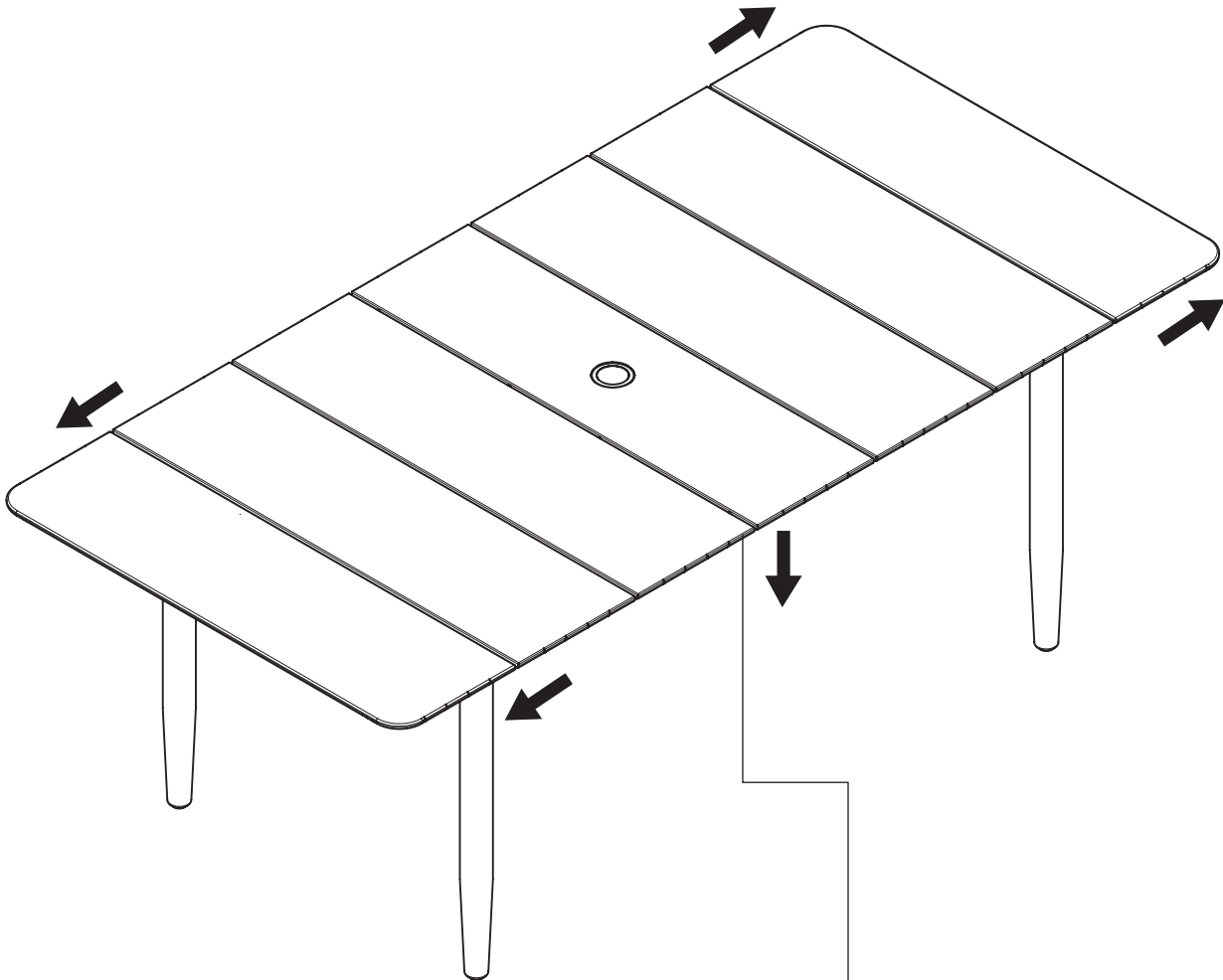


Terassi Outdoor Collection
Designed by Studio Tolvanen



Customer Service:
1.800.944.2233 inside the U.S.
1.203.614.0600 outside the U.S.

3. To begin extending table, unlatch two locks on each side of table by reaching under table and pulling toward edge, as shown.

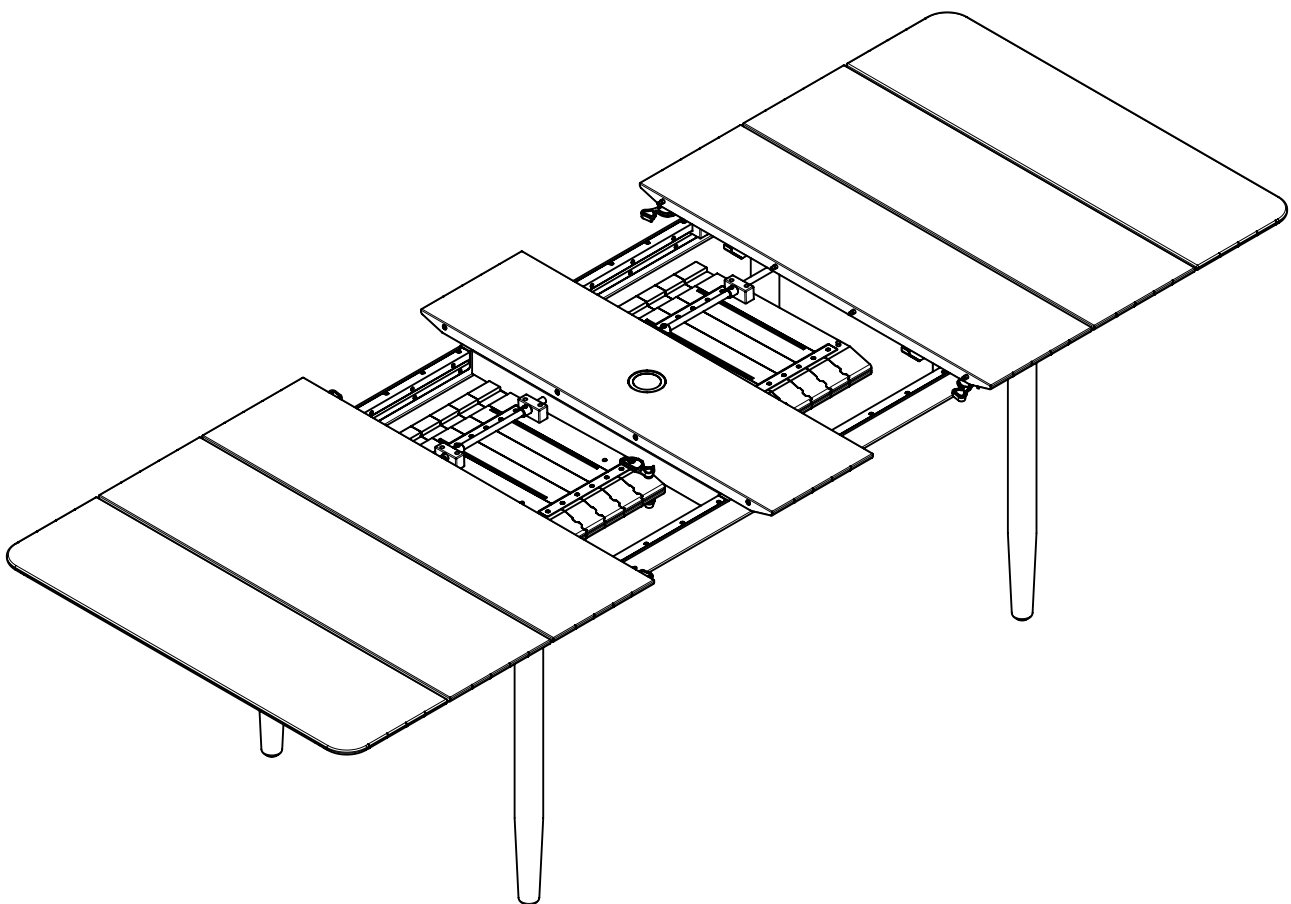


Terassi Outdoor Collection
Designed by Studio Tolvanen



Customer Service:
1.800.944.2233 inside the U.S.
1.203.614.0600 outside the U.S.

4. Open tabletop by grasping ends and pulling outward.

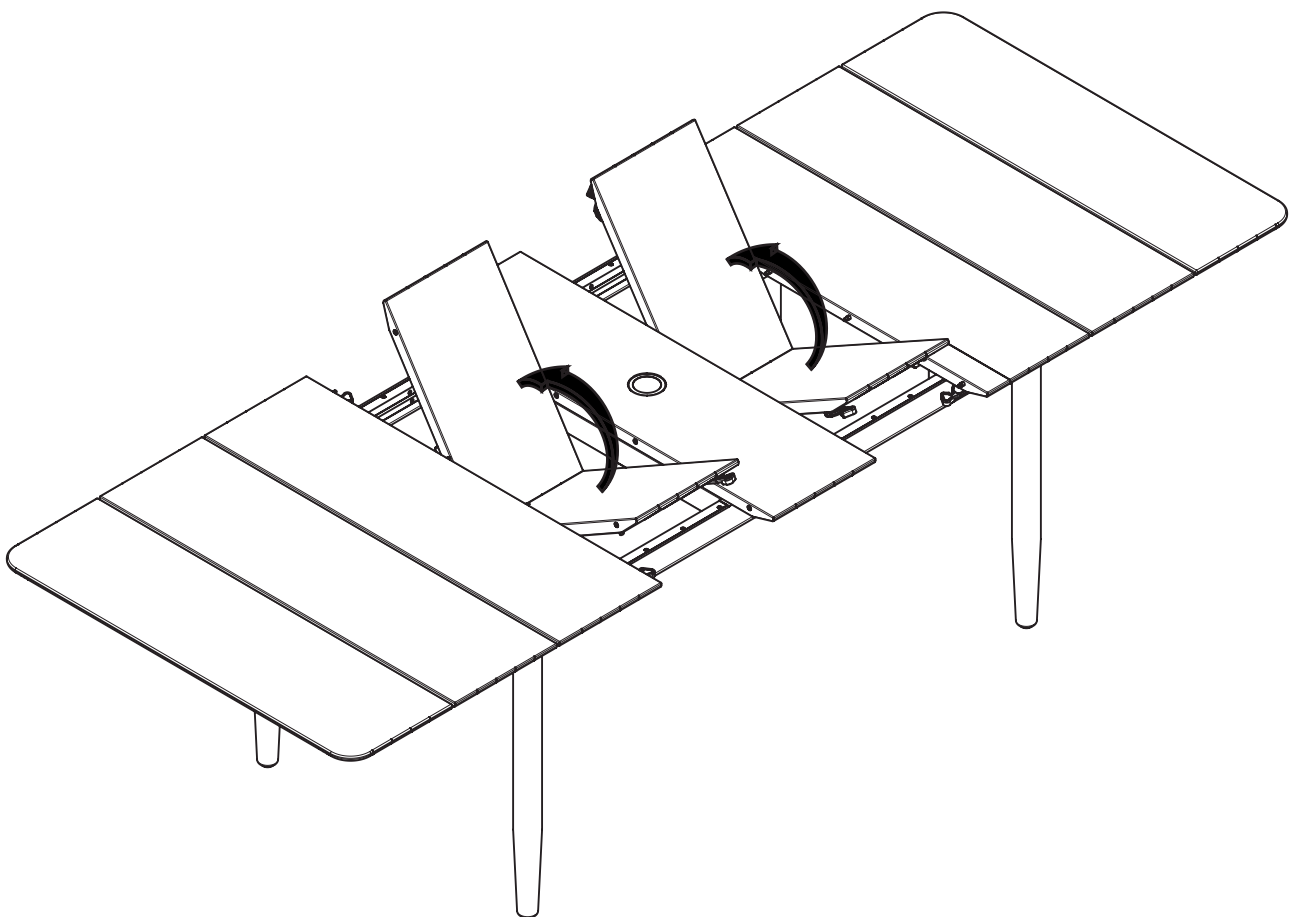


Terassi Outdoor Collection
Designed by Studio Tolvanen



Customer Service:
1.800.944.2233 inside the U.S.
1.203.614.0600 outside the U.S.

5. Lift up on hinged table leaves to unfold and raise into place.



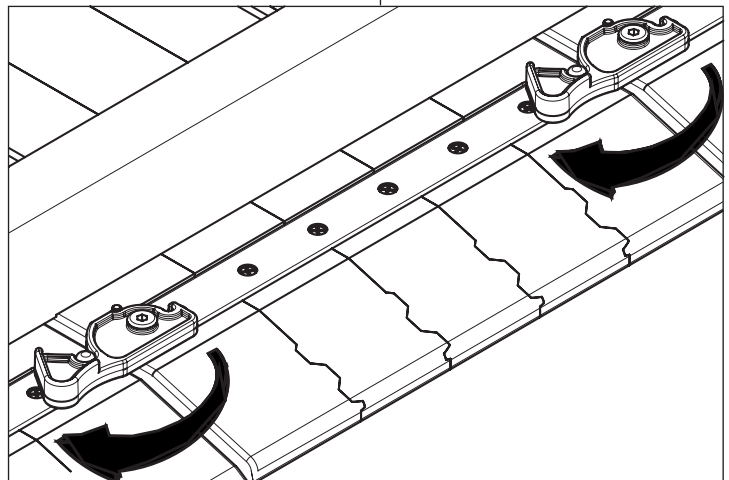
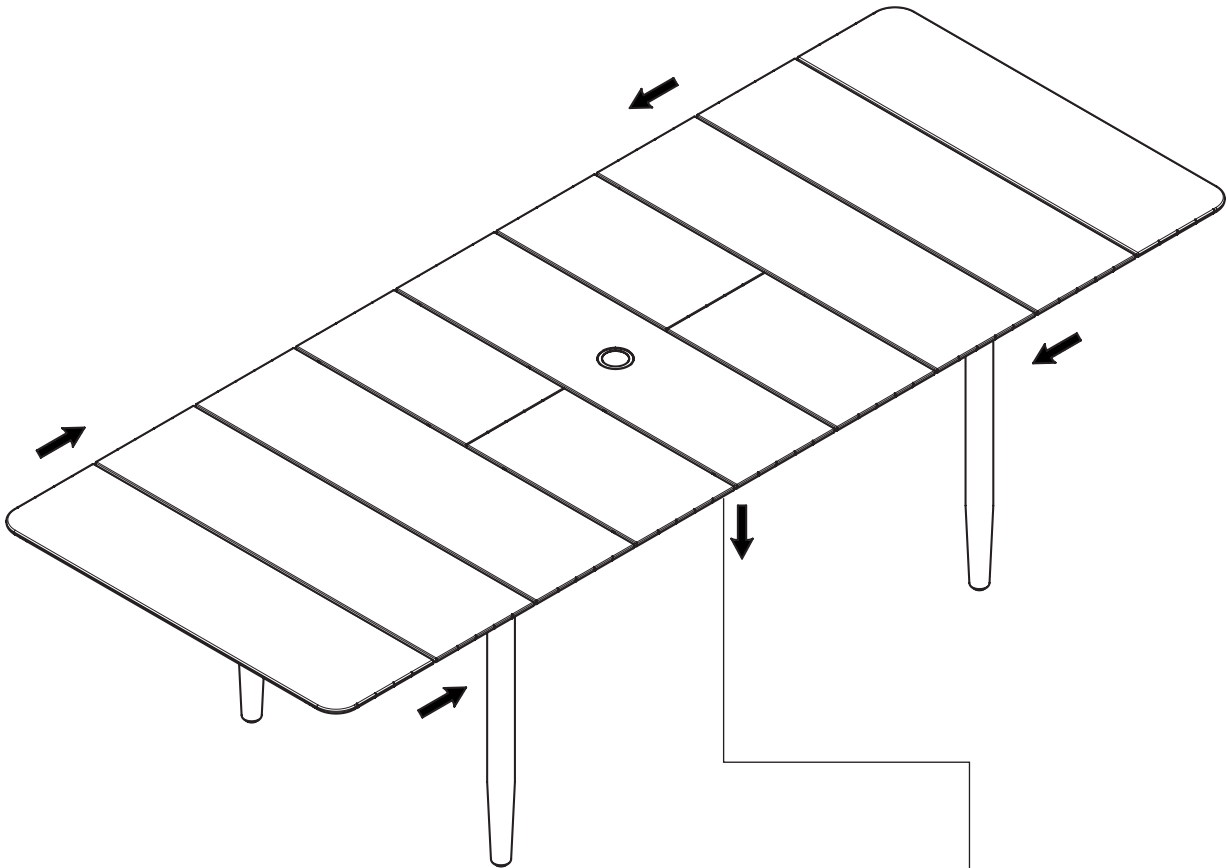
Terassi Outdoor Collection

Designed by Studio Tolvanen



Customer Service:
1.800.944.2233 inside the U.S.
1.203.614.0600 outside the U.S.

6. Close tabletop by pushing inward from ends. With leaves in place, each side of table now has four extension locks. Close locks by pushing inward, as shown.



PROMOTE EVEN WEATHERING

The table should be left fully extended as much as possible so that table leaves remain exposed like the rest of the table and weather at the same pace. Another option is to keep the table covered when not in use. Cover available at dwr.com.