

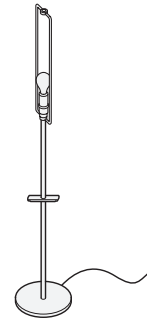
# Nelson Bubble Lamp Series

## Parts Included

A. Lamp Shade & Mounting Screw



B. Shade Support & Base



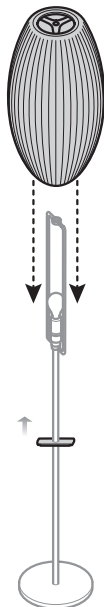
## How to assemble your Lamp

### No Tools Required

#### Step 1

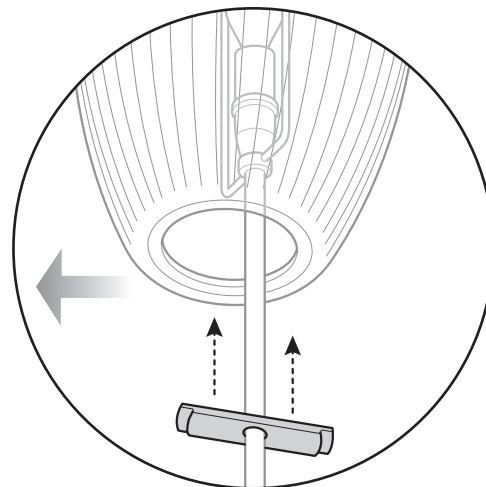
1.1 After installing a light bulb, lower the lamp shade over the support frame.

1.2 With your free hand, slide the centering cleat up the lamp shaft.



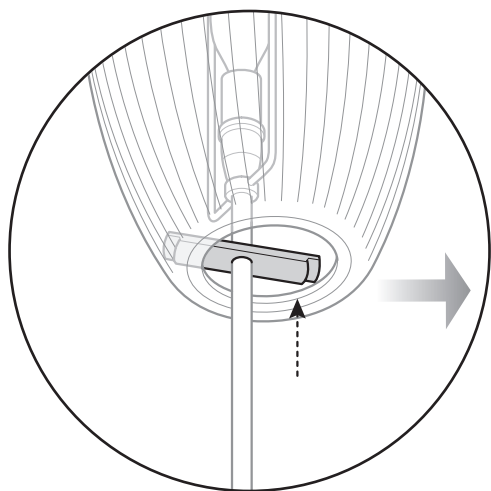
#### Step 2

Pivot the shade to the left while you angle the centering cleat through the opening of the shade.



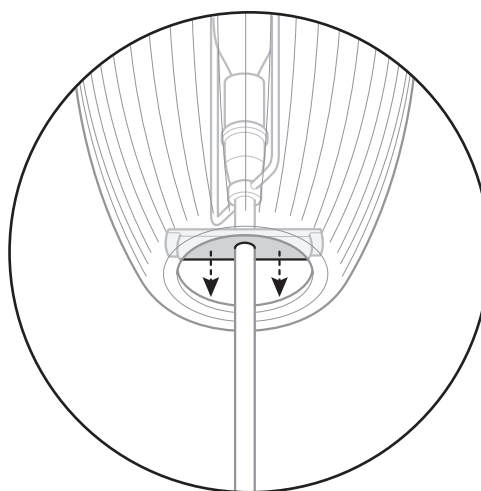
### Step 3

Pivot the shade to the right while you angle the other half of the centering cleat through the shade opening.



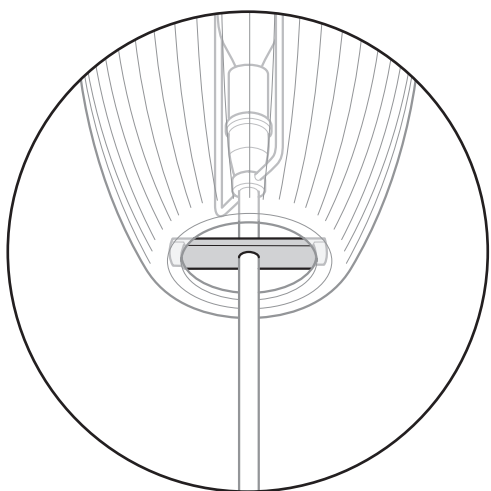
### Step 4

Once the cleat is fully inside the shade, slide it down the shaft.



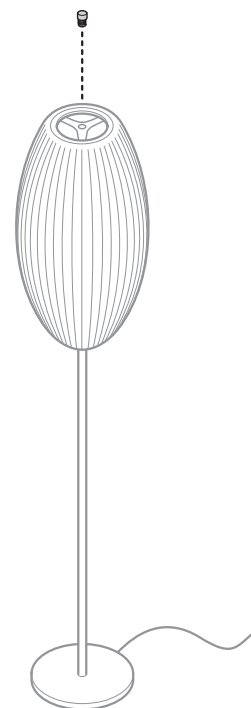
### Step 5

The cleat should be securely centered on the rim of the lamp shade which prevents it from rocking.



### Step 6

Fasten the lamp shade screw to the threaded hole located at the top of the lamp shade support.



**Step 7**

Plug the power cord into an appropriate outlet and enjoy your Nelson Bubble Floor Lamp.

