

AJ Wall

AJ-W 1-40W

PRODUCT SPECIFICATION

Product description

Weblink: 2536

Design: Arne Jacobsen

Light Concept: The fixture emits downward directed light. The angle of the shade and rotation can be adjusted to optimize light distribution. The shade is painted white on the inside to ensure a soft comfortable light.

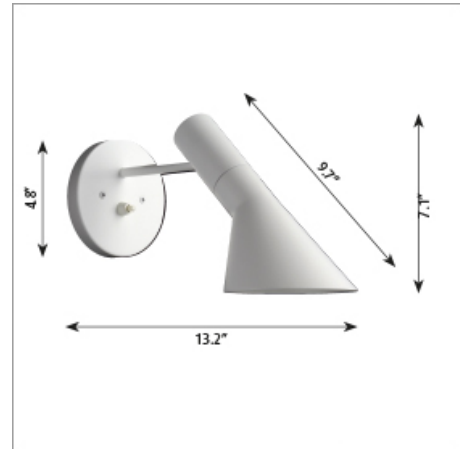
Finish: Blue/Green, petroleum, red, sand, yellow/green, black, graphite grey or white, wet painted.

Material: Shade: Spun steel. Base: Spun aluminum. Arm: Steel.

Mounting: Surface: Mounted directly to finished surface over a 4" octagonal junction-box. Switch: On/off switch on the wall plate.

Weight: Max. 6 lbs.

Label: cULus, Damp location. IBEW.



Product code	Light source	Voltage	Finish
AJ-W	1/40W/G16.5/IF candelabra	120V	BLK BLUE/GREEN GRP GREY PETROLEUM RED SAND WHT YELLOW/GREEN

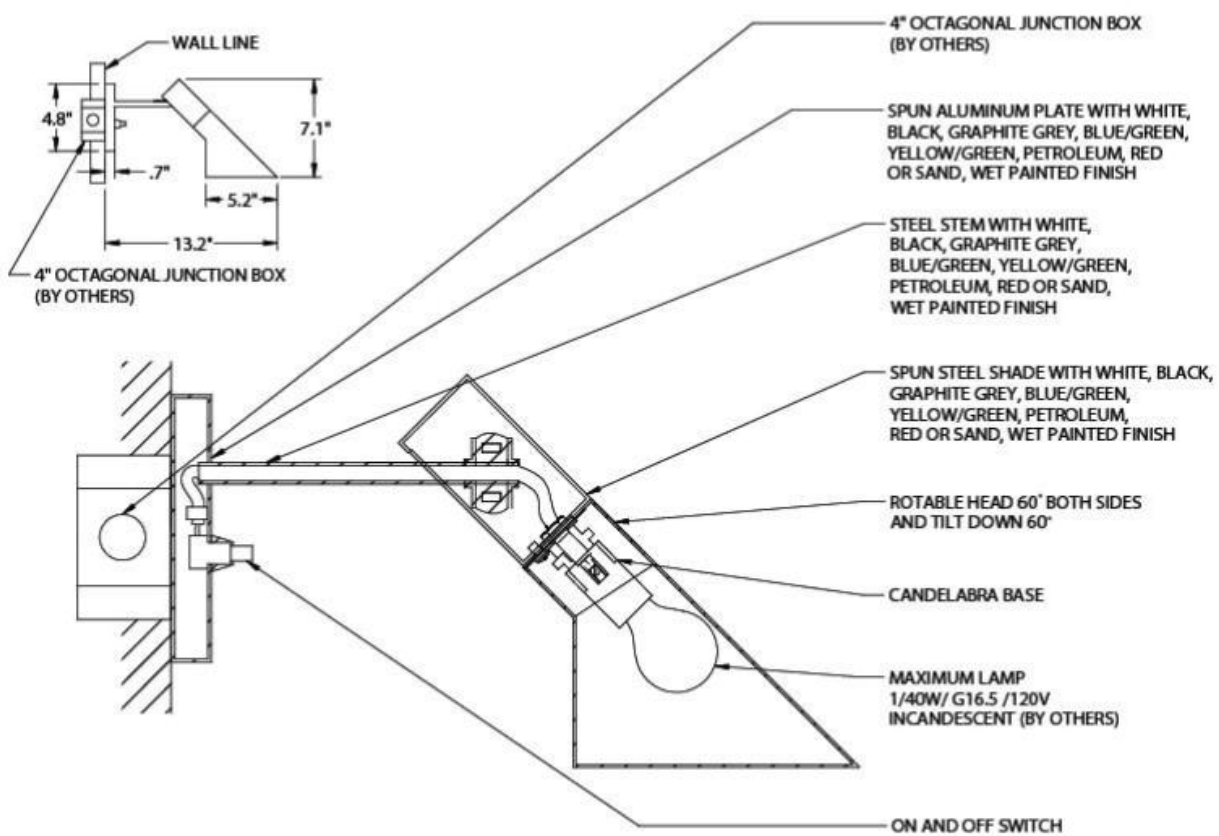
I. The comparable EU version has the following classification: Ingress Protection Code: IP20.

AJ Wall

AJ-W 1-40W

PRODUCT SPECIFICATION

Material description

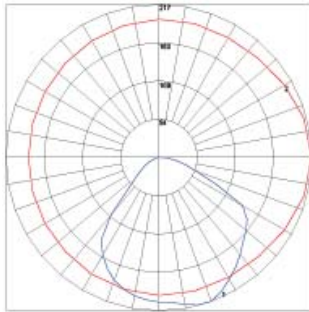


AJ Wall

AJ-W 1-40W

PRODUCT SPECIFICATION

Light measurements



Photometric Report: AJ-F-1-40W-616.5-IF.IES
 Report No.: 90403001
 Poulsen Report No.: AJ-F-1-40W-616.5-IF.IES
 Luminaire: AJ-F-1-40W-616.5
 Lamp: 1-40W-616.5
 Efficiency: 71.2%
 Description: All data shown are per 2200 lumens. This report can be used for calculation on all versions. Use only actual lumen data when calculating.

Candlepower Distribution

Vertical Angle	Candela
0	63.42
5	64.00
10	63.74
25	56.40
35	50.70
45	46.59
55	43.94
65	30.87
75	8.11
90	0.0
120	0.0
150	0.0
180	0.0

Zonal Lumen Summary

Zone	Lumens	% Lamp	% Fixture
0-30	49.36	18.30	25.70
0-40	82.52	30.60	43.00
0-60	156.06	57.80	81.20
0-90	191.93	71.10	99.90
90-120	0.03	0.00	0.00
90-130	0.03	0.00	0.00
90-150	0.06	0.00	0.00
90-180	0.18	0.10	0.10
0-180	192.11	71.20	100.00