

# SARAH ELLISON.

---

## EARTH OUTDOOR ROUND COFFEE TABLE ASSEMBLY INSTRUCTIONS

Thank you for purchasing the Sarah Ellison Earth Outdoor Round Coffee Table. This document lists the contents included in your delivery. Please take the time to identify the hardware, as well as the individual components of this product. As you unpack and prepare for assembly, place the contents on a carpeted or padded area to protect them from damage.

---

### HARDWARE

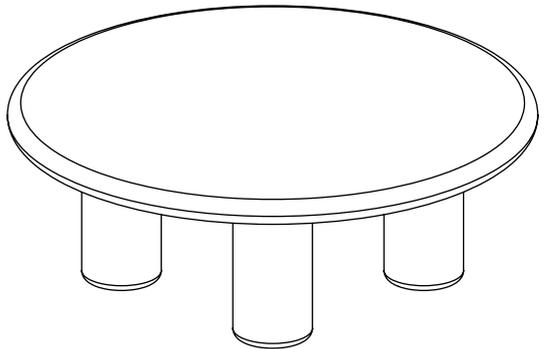
16x Allen Bolt (H-1)  
16x Spring Washer (H-2)  
16x Flat Washer (H-3)

### TOOLS REQUIRED

4mm Allen Key L (T-1)

### PEOPLE REQUIRED FOR ASSEMBLY

A minimum of two people are required to assemble this product



### ESTIMATED TIME OF ASSEMBLY

15 mins

---

### CUSTOMER SERVICE

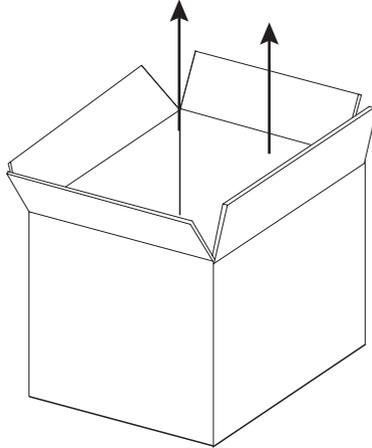
For Australian customer service contact: [info@sarahellison.com.au](mailto:info@sarahellison.com.au)  
For any international customer service inquiries please contact the retailer of purchase

# SARAH ELLISON.

---

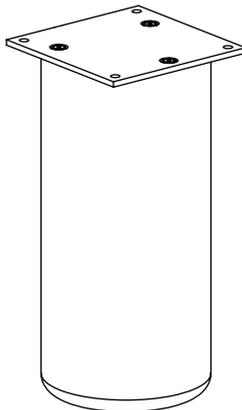
## STEP 1

Open box carefully, ensuring the blade of the knife does not come into contact with the product. Remove packaging and lift the product up out of box and gently place on ground.



## STEP 2

Pull out all four legs out of the boxes. Please note that Metal Mounting Plates are pre-assembled to the concrete legs. Carefully check that connections are tight. If needed, re-tighten Metal Mounting Plate with leg using Allen Key (T-1).

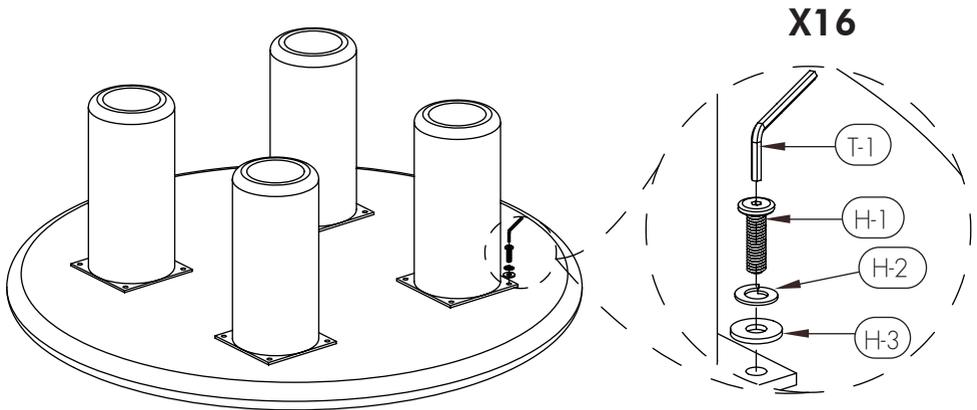


# SARAH ELLISON.

---

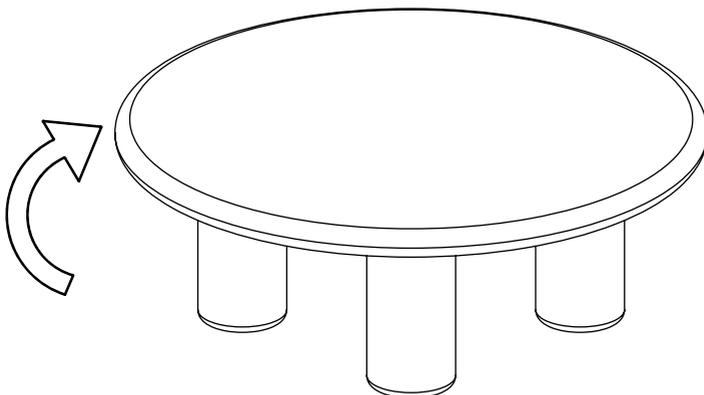
## STEP 3

Lay the Table Top upside down onto a padded, non-marking surface. Lift the first leg into place, aligning the holes on the metal mounting plates to the corresponding holes on the Table Top base as shown. Secure the Leg using Allen Bolts (H-1), Spring Washers (H-2) and Flat Washer (H-3), stacking the hardware in the order shown. Engage all bolts by hand first, then fully tighten them using Allen Key (T-1). Repeat the process above to install the other three Legs.



## STEP 4

Once the legs are secure, with a second person assisting you, rotate the table upright and position the table in your room. Don't forget to recycle the packaging where possible.



# SARAH ELLISON.

---

## CARE INSTRUCTIONS

With a little care you can prolong the life of your furniture. The following information is only intended as a general guideline. Please follow the instructions to ensure maximum longevity of your Sarah Ellison furniture.

- Dust often using a clean, soft, dry and lint-free cloth.
- When blot spills, wipe with a clean, damp cloth immediately.
- We do not recommend the use of chemical cleansers, abrasives or furniture polish on our waxed finish.
- Hardware may loosen over time. Periodically check to make sure all connections are tight. Re-tighten if necessary.