

ELLISON STUDIOS.

Product Care & Assembly Guide

Congratulations on your purchase of your ELLISON STUDIOS. Lull Bed. This document lists the contents included in your delivery.

Please take the time to read this document, as it includes important information about caring for your product as well as any assembly instructions that might be required. As you unpack your new item, place the contents on a carpeted or padded area to protect them from damage before placing the product in its final position.

LULL BED

Hardware

- 40 x M8x35mm bolts
- 40 x spring washers
- 40 x flat washers
- 64 x M4x30mm screws
- 4 x corner brackets
- 6 x lock washers

Tools Required

- Allen Key
- Screwdriver (not supplied)

People Required

2 People

Estimated Time of Assembly

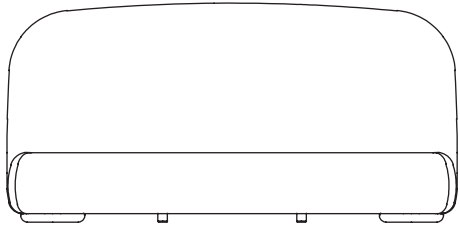
1 Hour

Contact Us

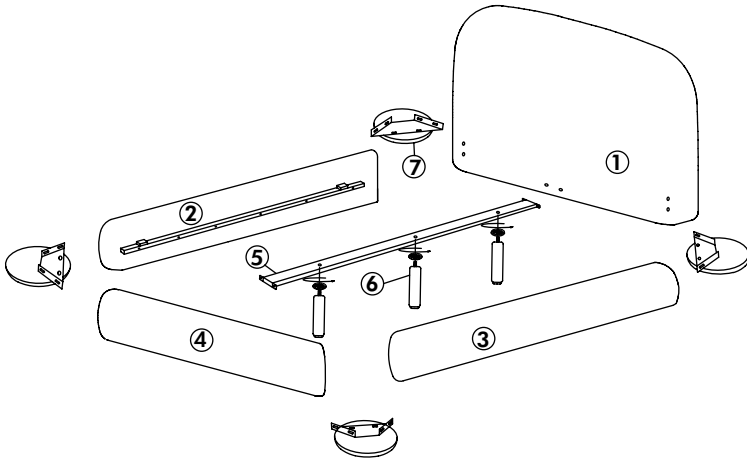
For Australian warranty related queries please contact:
customerservice@ellisonstudios.com

For any international customer service inquiries please contact the retailer of purchase.

Ellison Studios Group Pty Ltd

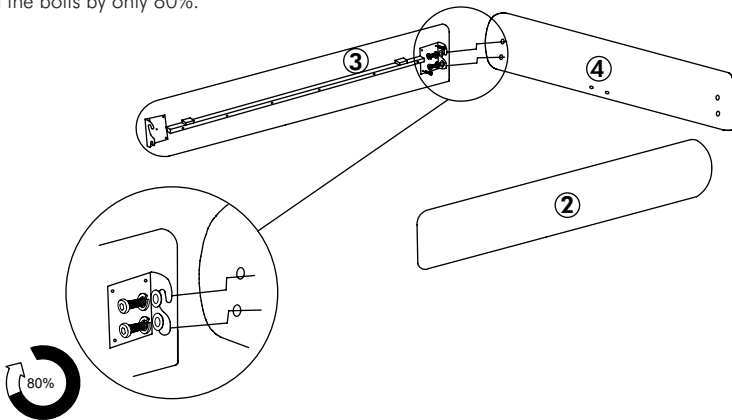


ELLISON STUDIOS.



Step 1

Lay the two side rails and base rail into a U shape on a clean, flat surface. The edges with piping should be facing the ground. Using 4xPart A, 4xPart B, 4xPart C and the supplied Allen key, fix the three rails together at the brackets by tightening the bolts by only 80%.

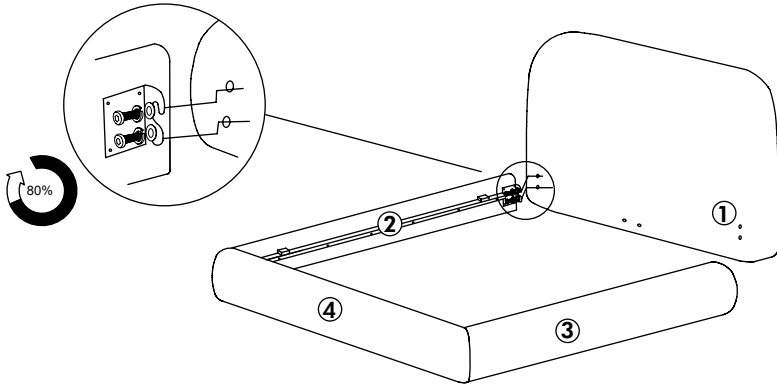


ELLISON STUDIOS.

Step 2

Attach the assembled base rail and side rails to the headboard using 4xPart A, 4xPart B, 4xPart C and the supplied Allen key. Fix the components together at the brackets by tightening the bolts by only 80%.

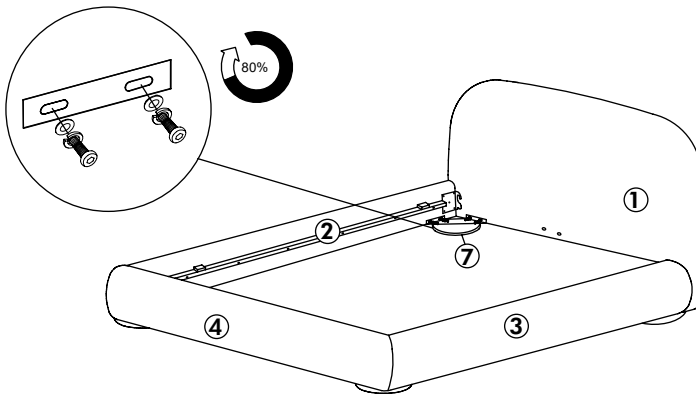
Once the four components have been joined together, tighten all bolts to 100%.



Step 3

Attach the four feet to the main bed assembly by fixing the corner brackets through the holes in the rails and headboard. Use 4xPart A, 4xPart B, 4xPart C and the supplied Allen key per leg, and tighten the bolts by only 80%.

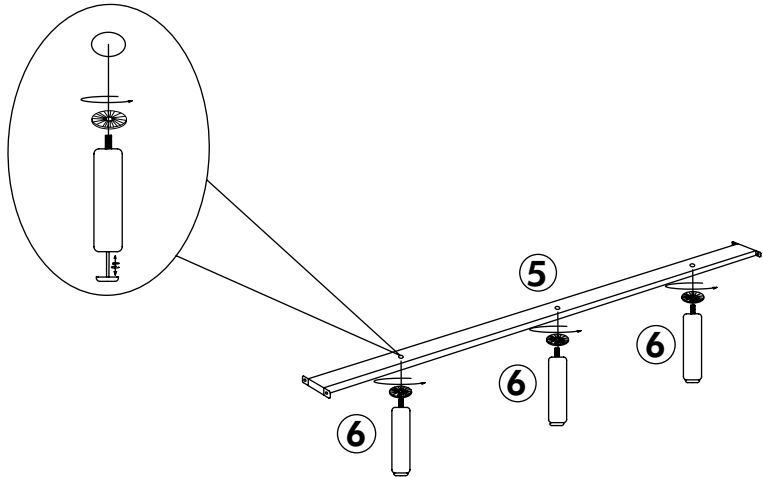
Once all feet have been attached, tighten all bolts to 100%.



ELLISON STUDIOS.

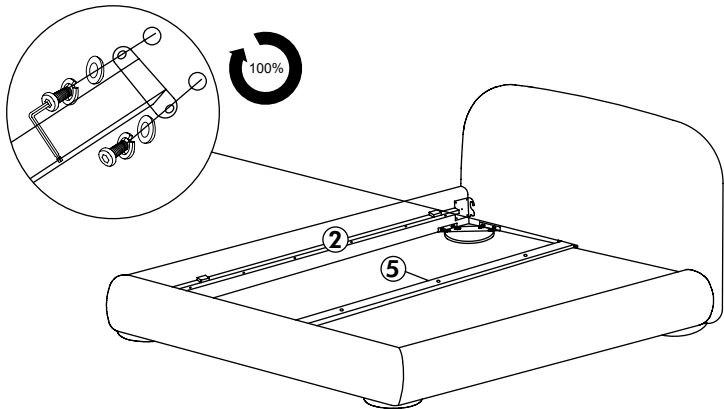
Step 4

Fix the wooden feet to the centre support rails by twisting until tight, with 1xPart G between the rail and each foot.



Step 5

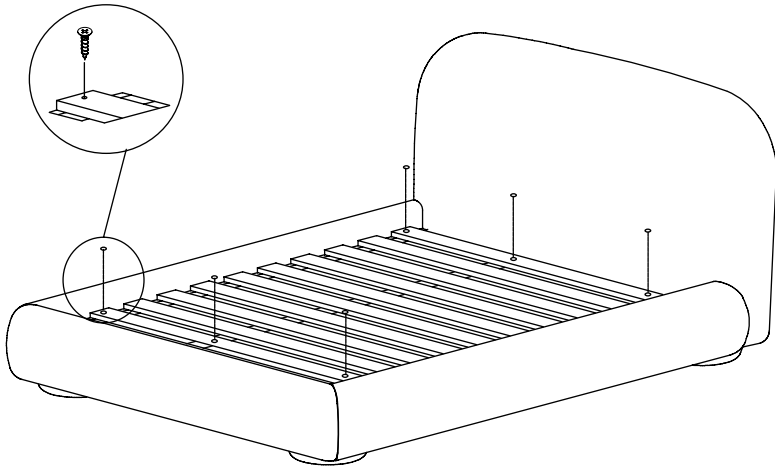
Attach the centre support rails to the main bed frame using 8xPart A, 8xPart B, 8xPart C and the supplied Allen key.



ELLISON STUDIOS.

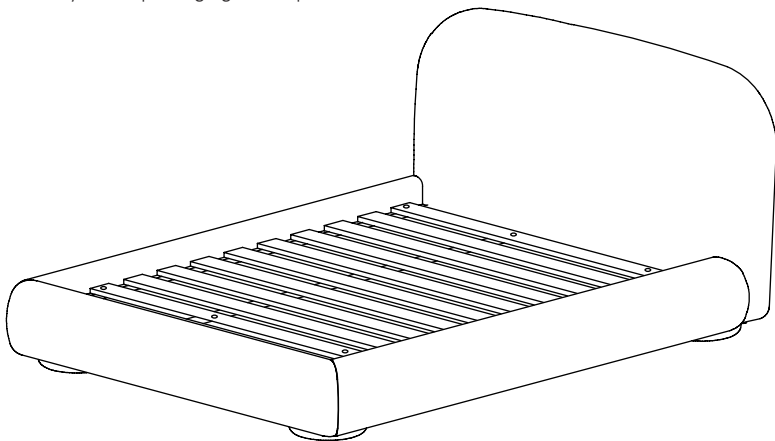
Step 6

Unroll the bed slats onto the bed frame, stretching them from end to end. Using 64xPart E and a screwdriver, fasten the slats to the frame through the pre drilled pilot holes.



Step 7

The assembly is now complete and product is ready for use.
Don't forget to recycle the packaging where possible



Care Instructions

Ensure the longevity and appearance of your ELLISON STUDIOS fabric upholstered furniture with these care instructions:

Regular Care: Vacuum periodically with an upholstery attachment to remove dust and debris. Blot spills immediately with a clean, dry cloth. Follow specific care instructions for stubborn stains.

Avoid Prolonged Sun Exposure: Minimize exposure to direct sunlight to prevent fading and deterioration.

Rotate Cushions: Regularly rotate and fluff cushions to ensure even wear and maintain shape.

Protect from Sharp Objects: Avoid placing sharp objects on or near the furniture to prevent snags and tears.

Floor Protection: Use protective felt pads under the legs to prevent scratches on floors.

Avoid Harsh Cleaning Chemicals: Do not use abrasive cleaners or harsh chemicals. Refer to specific care instructions for your fabric type.

Professional Cleaning: Consider professional cleaning services every 12-18 months.

Fabric Protection: Use fabric protection sprays safe for your upholstery. Recommended products are available in the ELLISON STUDIOS online store.

Following these simple steps and guidelines will help to ensure the longevity of your ELLISON STUDIOS product.

ELLISON STUDIOS.