

SARAH ELLISON.

ARCH DINING CHAIR ASSEMBLY INSTRUCTIONS

Thank you for purchasing the Sarah Ellison Arch Dining Chair. This document lists the contents included in your delivery. Please take the time to identify the hardware, as well as the individual components of this product. As you unpack and prepare for assembly, place the contents on a carpeted or padded area to protect them from damage.

HARDWARE

None

TOOLS REQUIRED

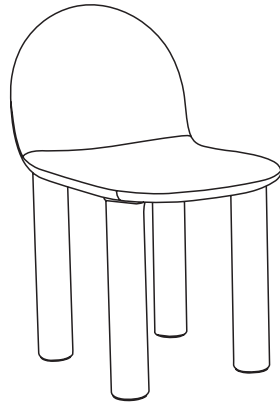
None

PEOPLE REQUIRED FOR ASSEMBLY

1 Person

ESTIMATED TIME OF ASSEMBLY

15 Minutes



CUSTOMER SERVICE

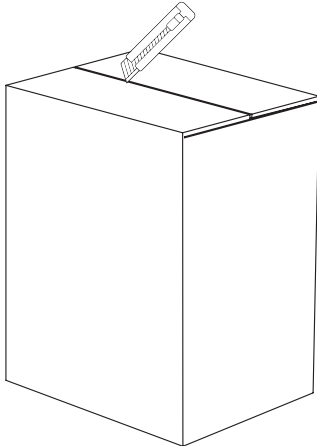
For Australian customer service contact : customerservice@sarahellison.com.au

For any international customer service inquires please contact the retailer of purchase

SARAH ELLISON.

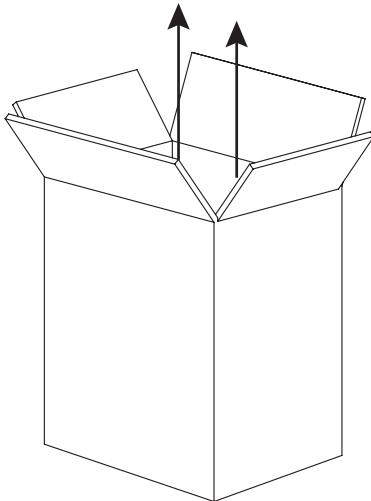
STEP 1

Open box carefully, ensuring the blade of the knife does not come into contact with the product.



STEP 2

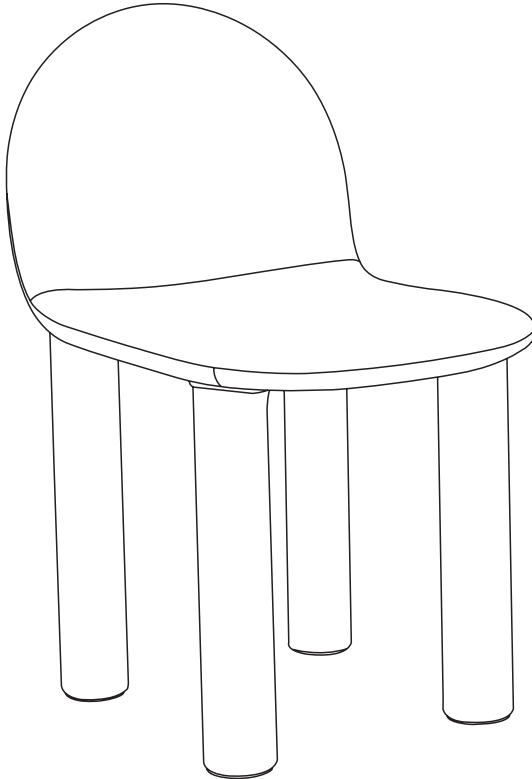
Remove packaging and lift the product up out of box and gently place on ground.



SARAH ELLISON.

STEP 3

Position in your room, and don't forget to recycle the packaging where possible



CARE INSTRUCTIONS

With a little care you can prolong the life of your furniture. The following information is only intended as a general guideline. Please follow the instructions to ensure maximum longevity of your Sarah Ellison furniture.

- Wipe down chairs periodically with a mild soap and water solution. Dry before use with a lint free cloth.
- We do not recommend chemical cleansers, abrasives or furniture polish.
- Place out of direct sunlight to help prevent fading. Dark colors are particularly susceptible to sun.
- Cover outdoor chairs or bring indoors to extend the life of your chairs

S E.